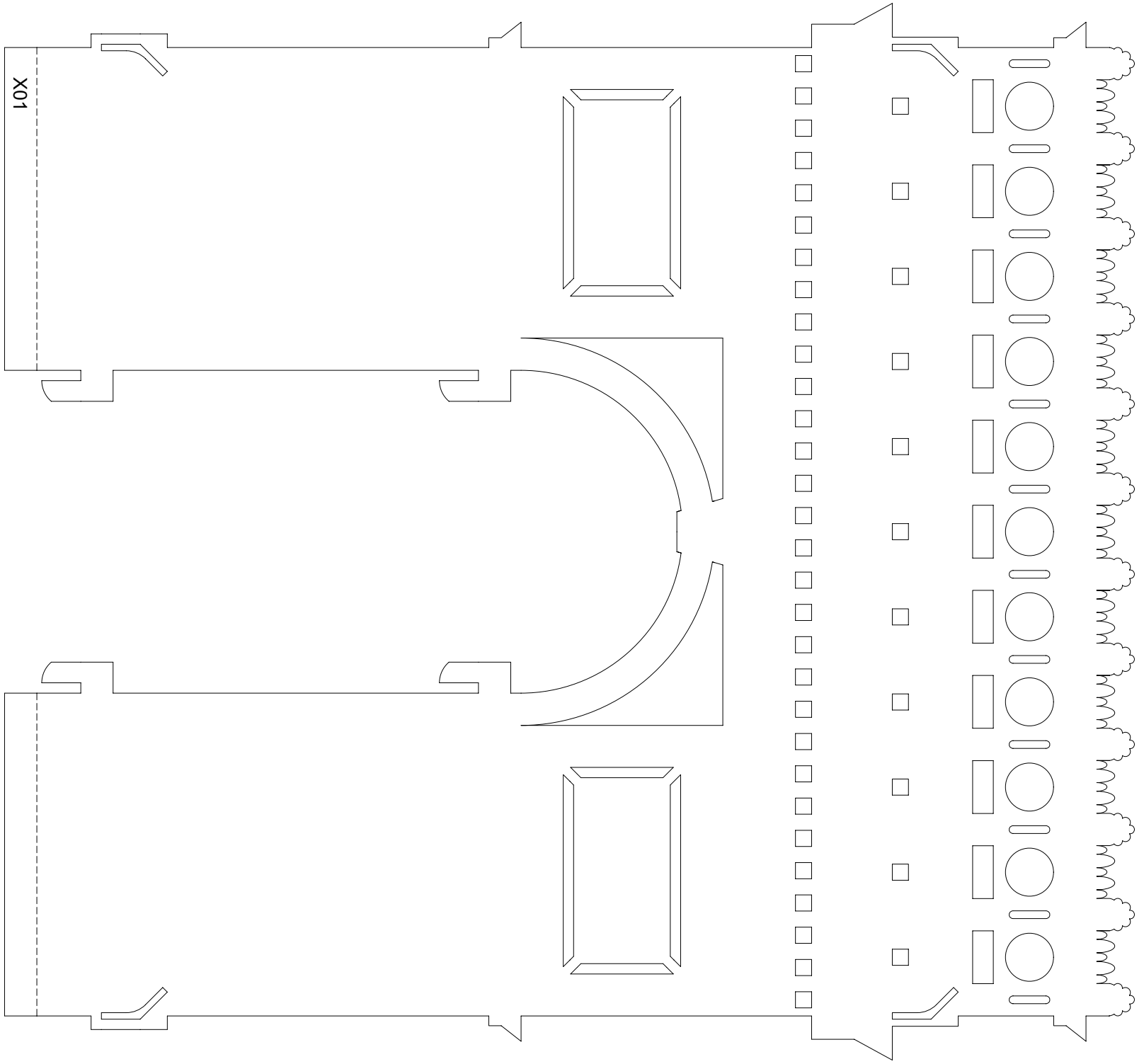
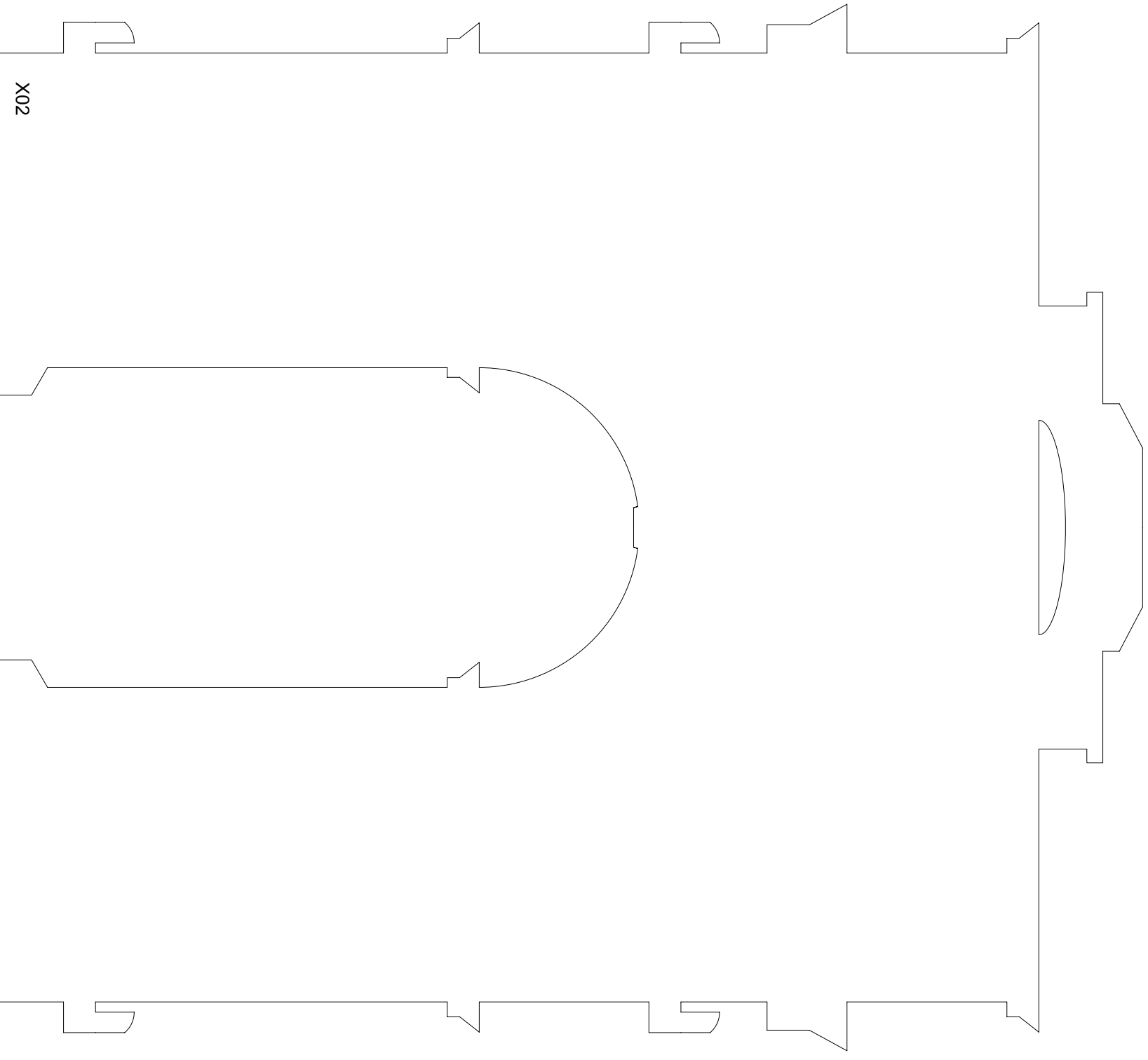


Print on 60lb to 120lb 8.5" x 11" card stock. Scaling 100%. Do not use your "fit to paper" option on your printer.

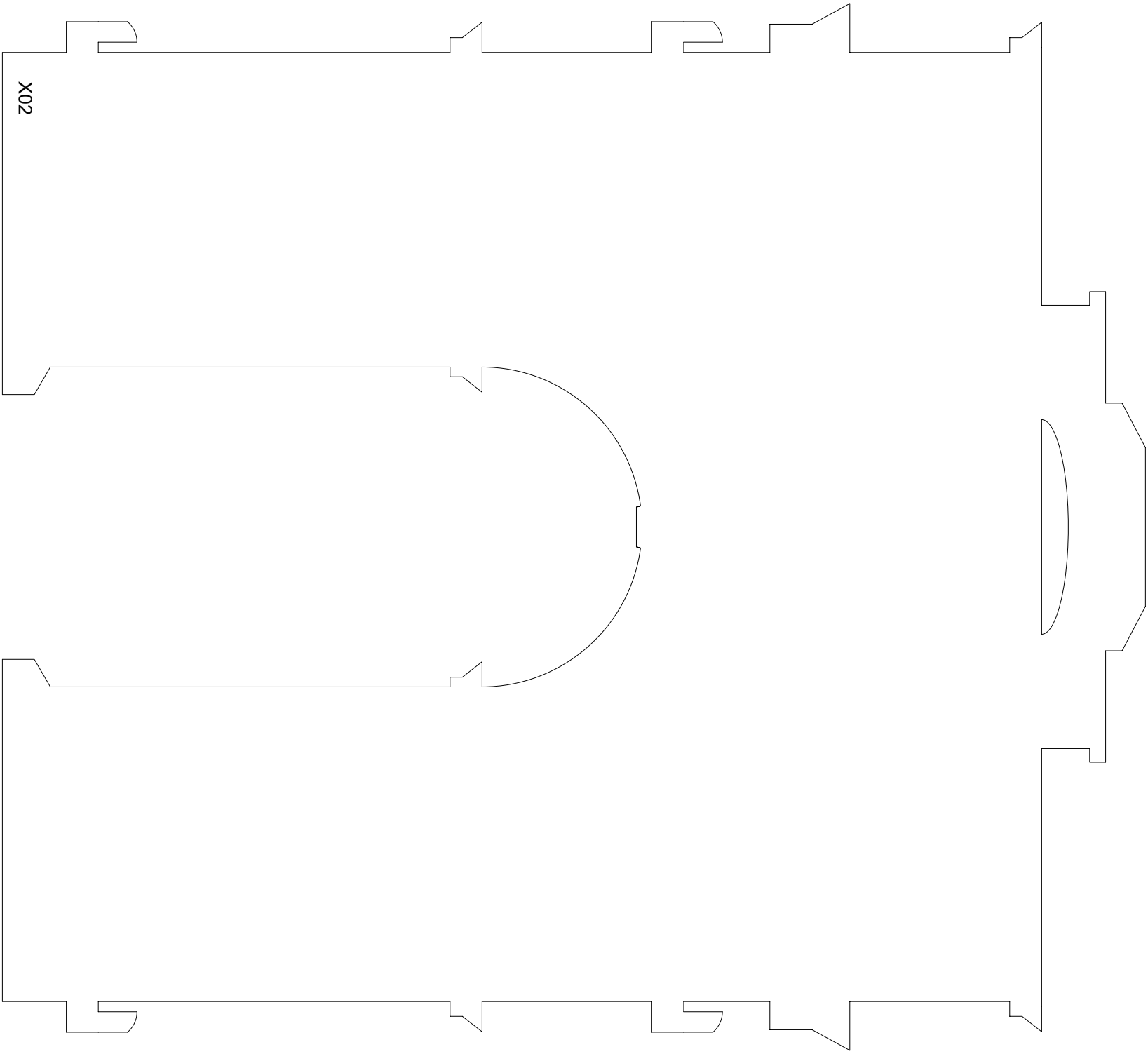


Print on 60lb to 120lb 8.5" x 11" card stock. Scaling 100%. Do not use your "fit to paper" option on your printer.

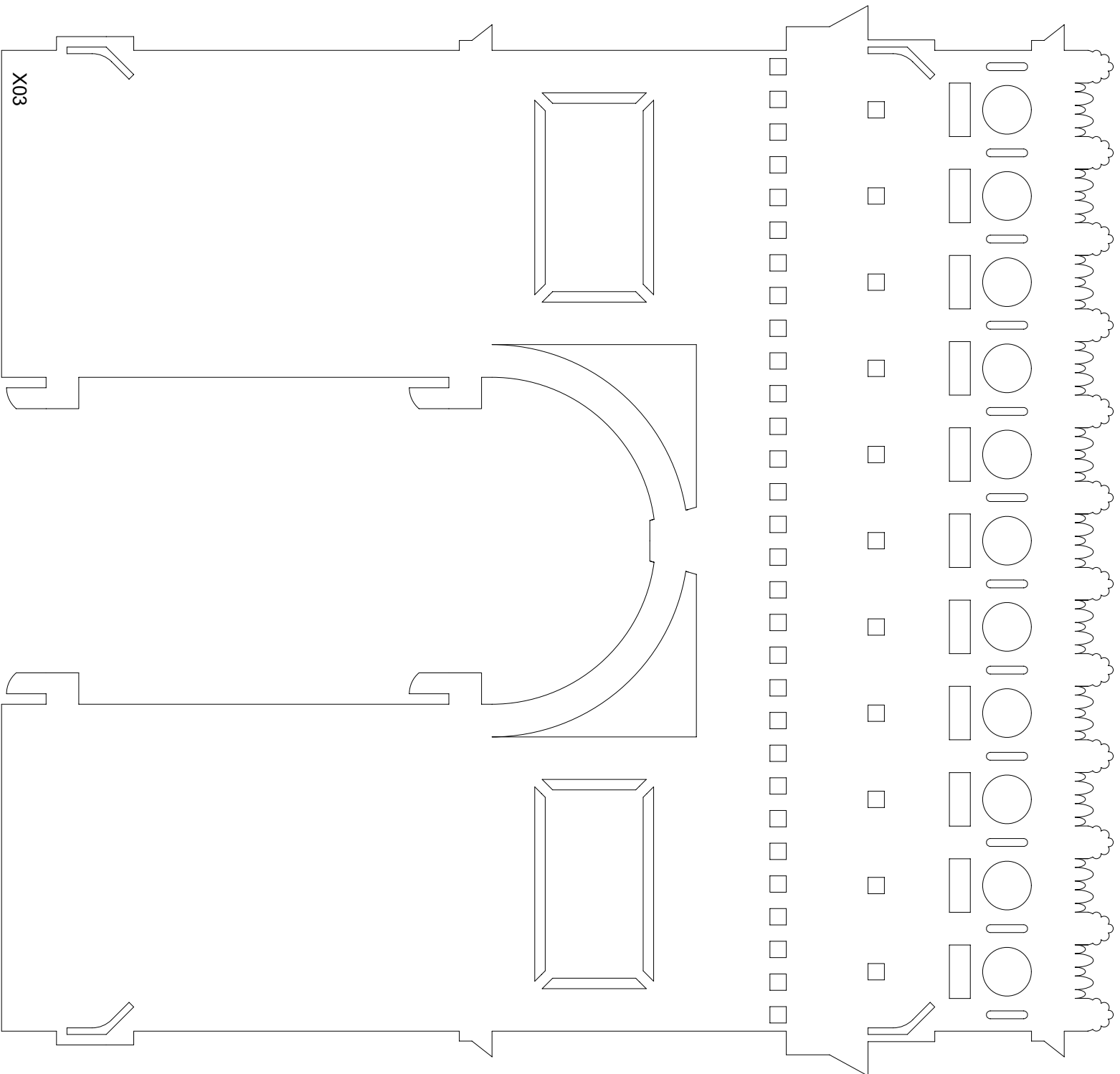


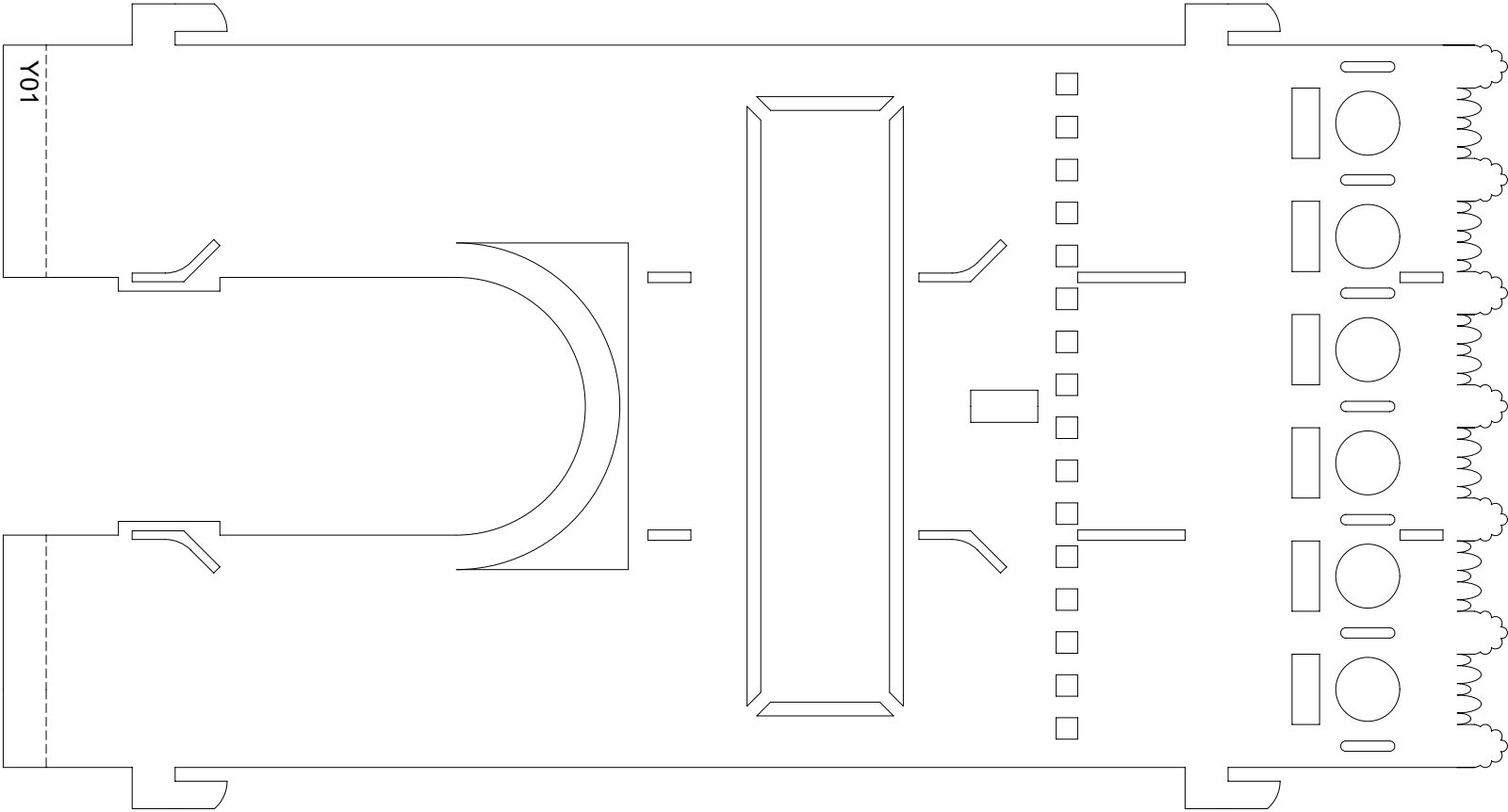
X02

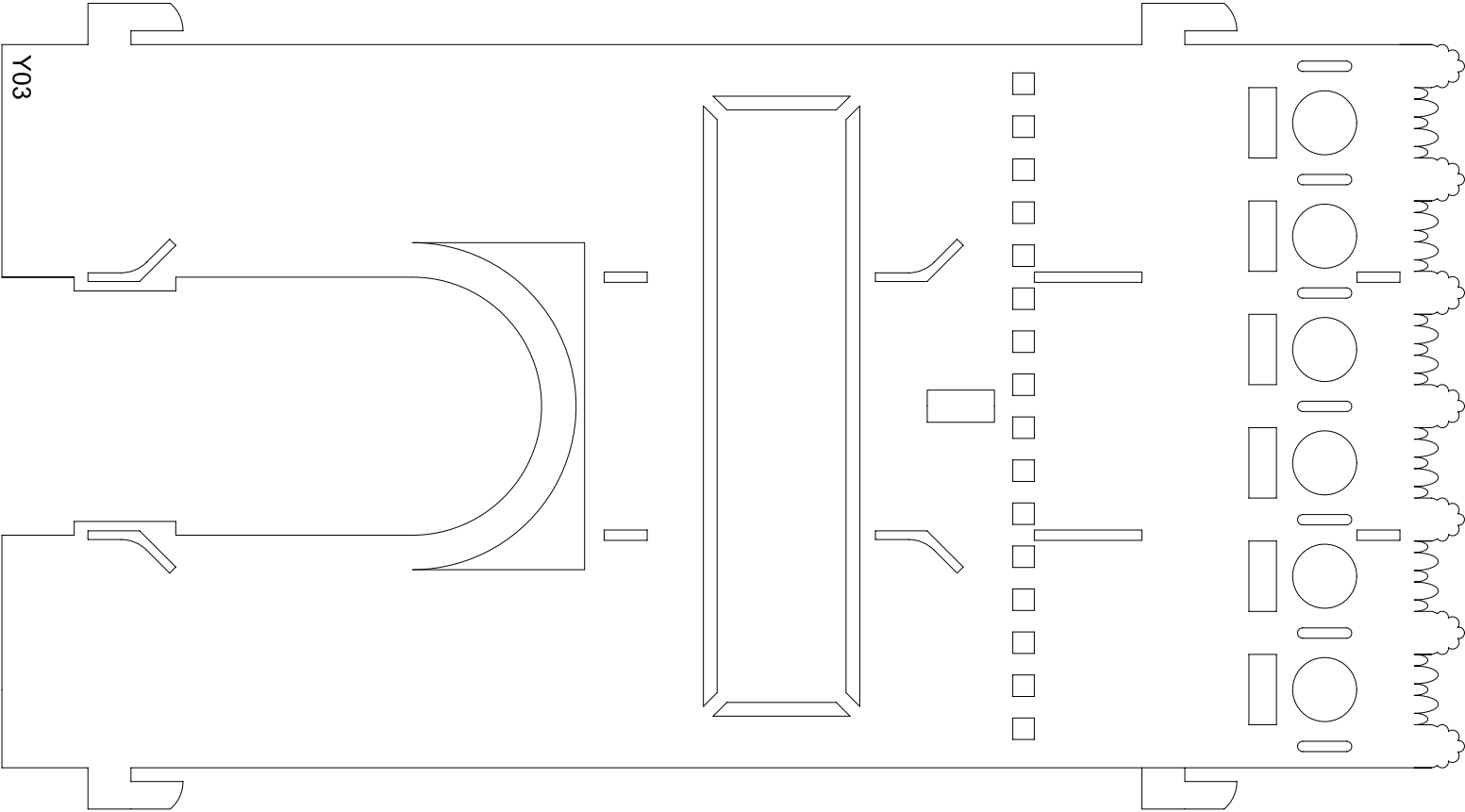
Print on 60lb to 120lb 8.5" x 11" card stock. Scaling 100%. Do not use your "fit to paper" option on your printer.

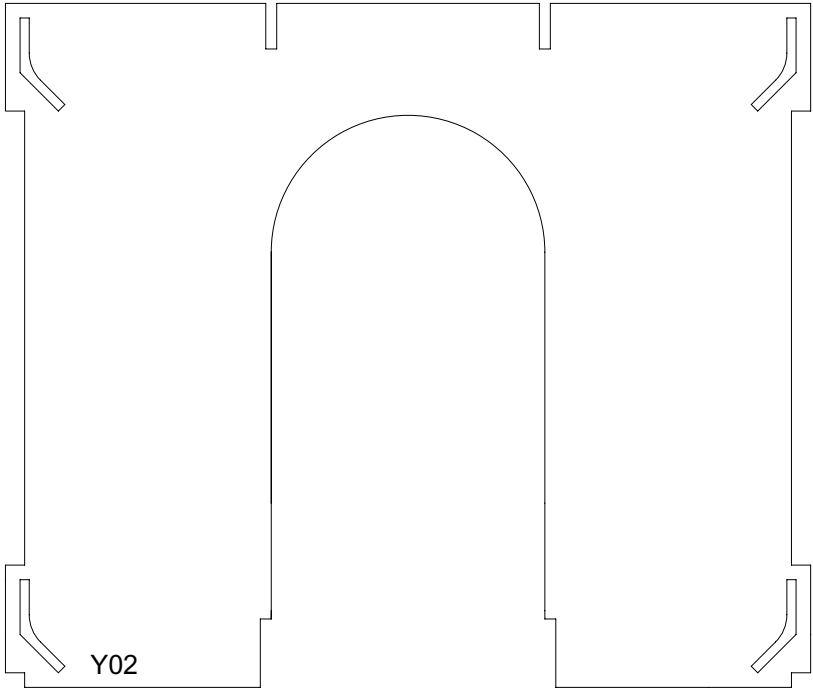
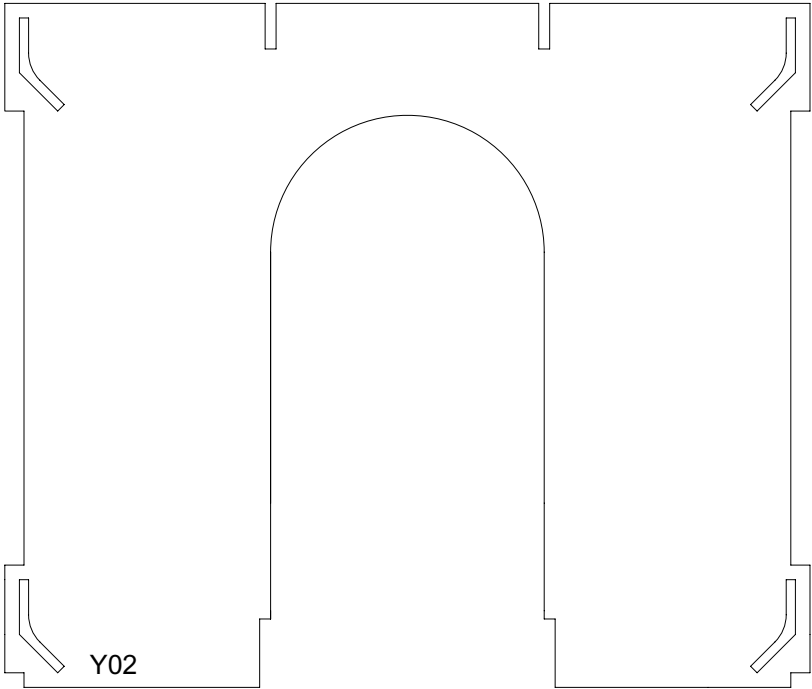


X02







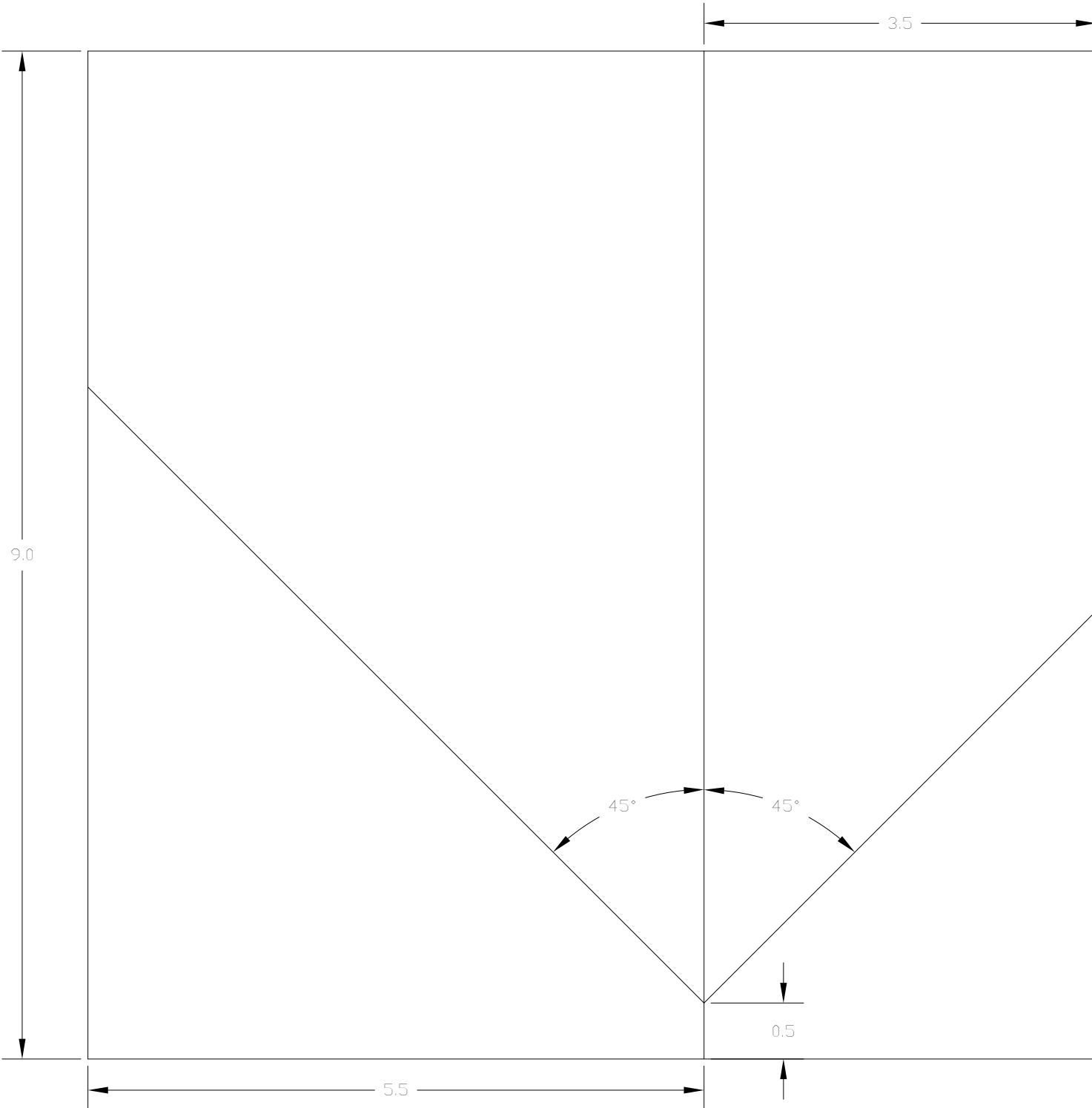


**Don't print this page.**

Cut 9" x 5.5" and 9" x 3.5" stiff cardboards.

Glue a paper strip to joint them.

Then, use pencil to draw two 45° lines as shown in the figure.



Unit: inch