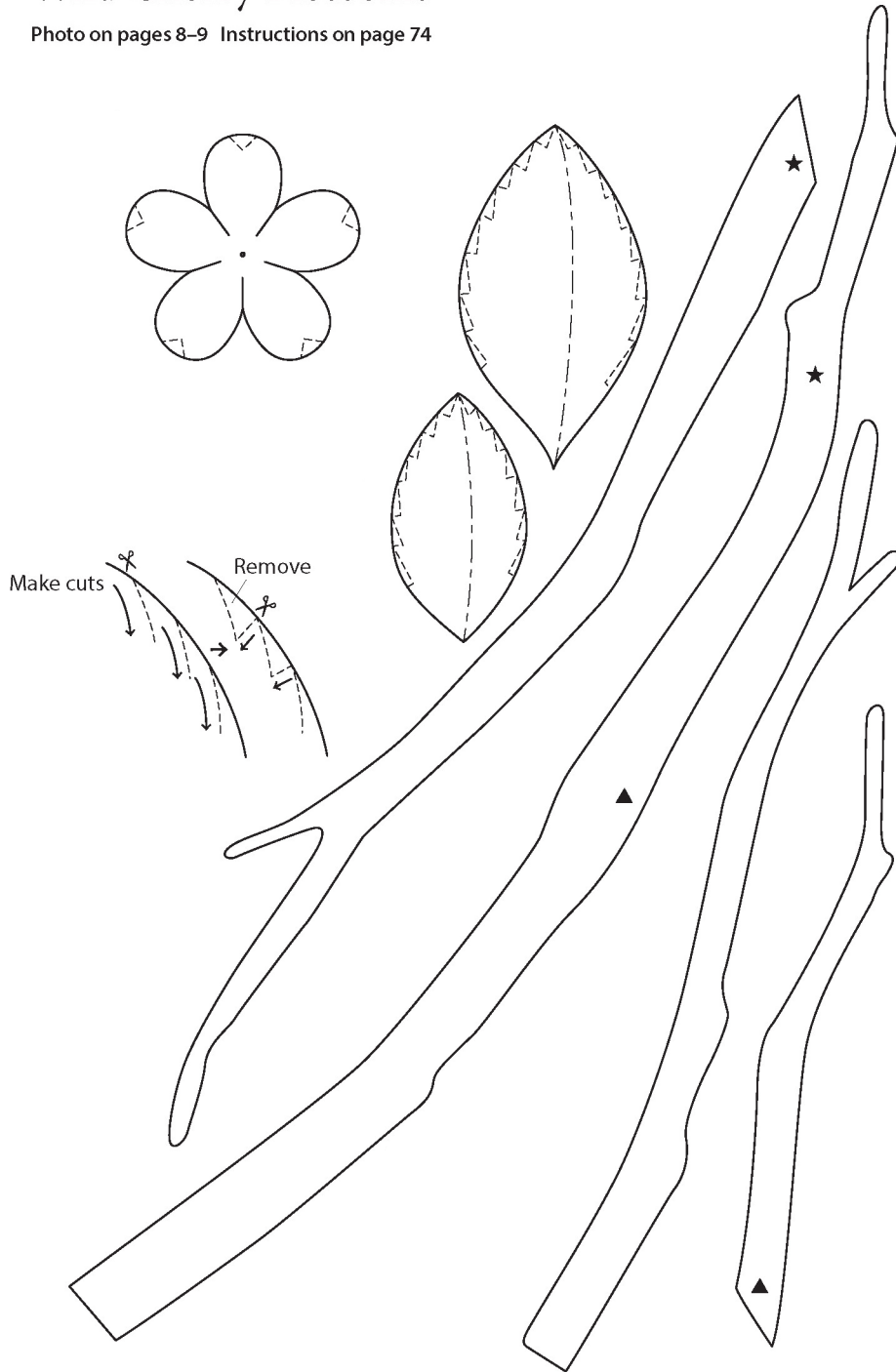


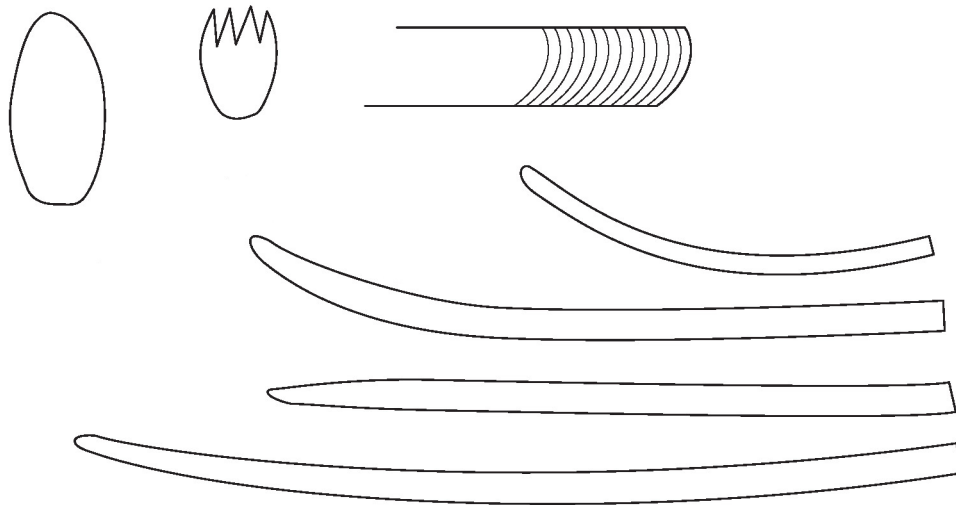
# Wild Cherry Blossoms

Photo on pages 8–9 Instructions on page 74



# Horsetail Shoots

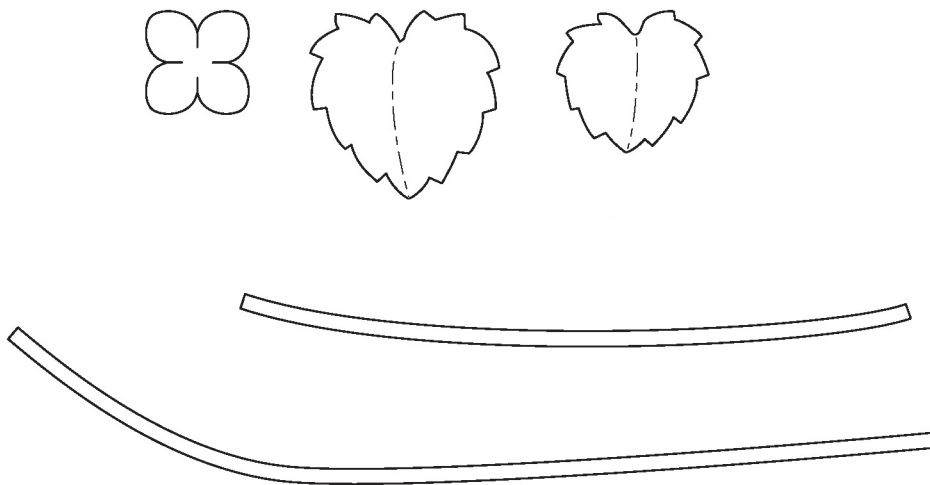
Photo on page 7 Instructions on page 75



---

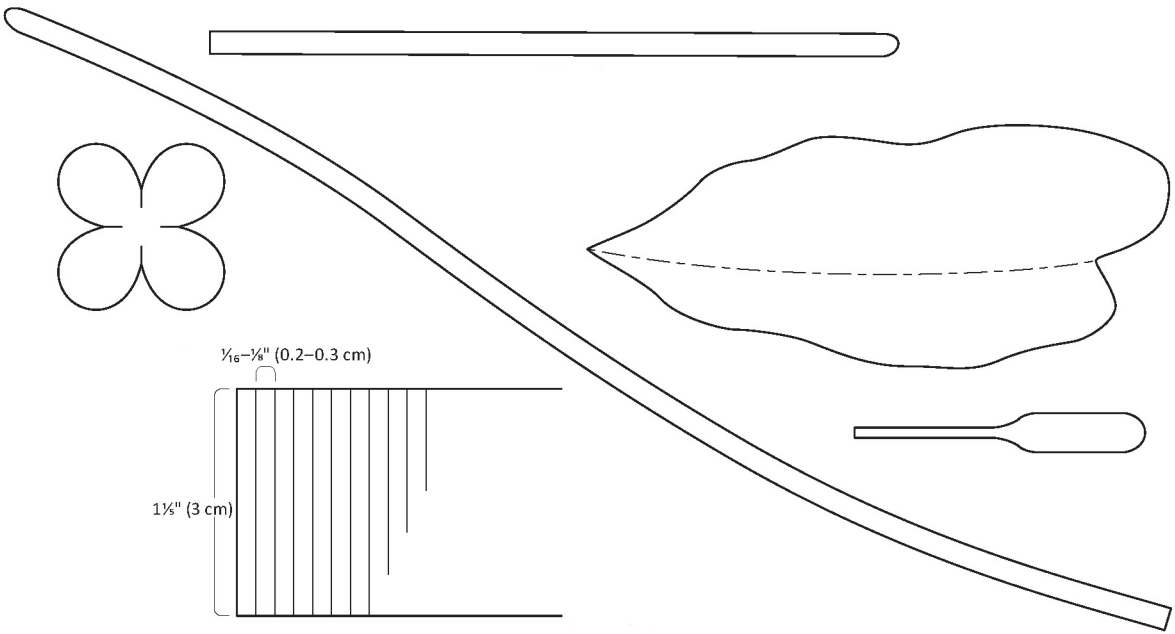
# Persian Speedwell

Photo on page 24 Instructions on page 31



# Rapeseed Flowers

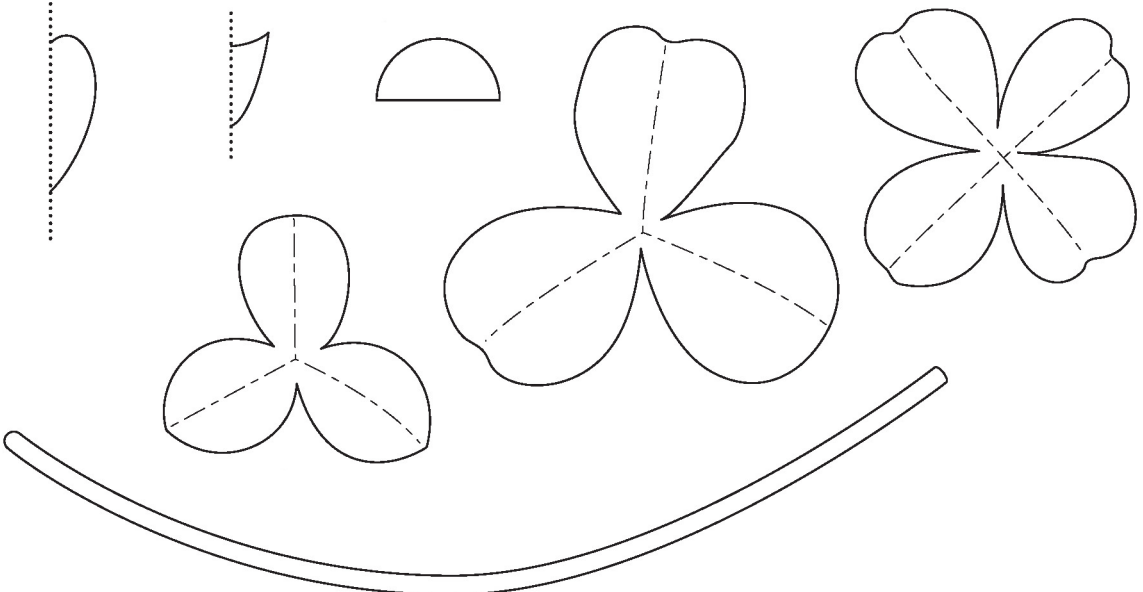
Photo on page 10 Instructions on page 76



---

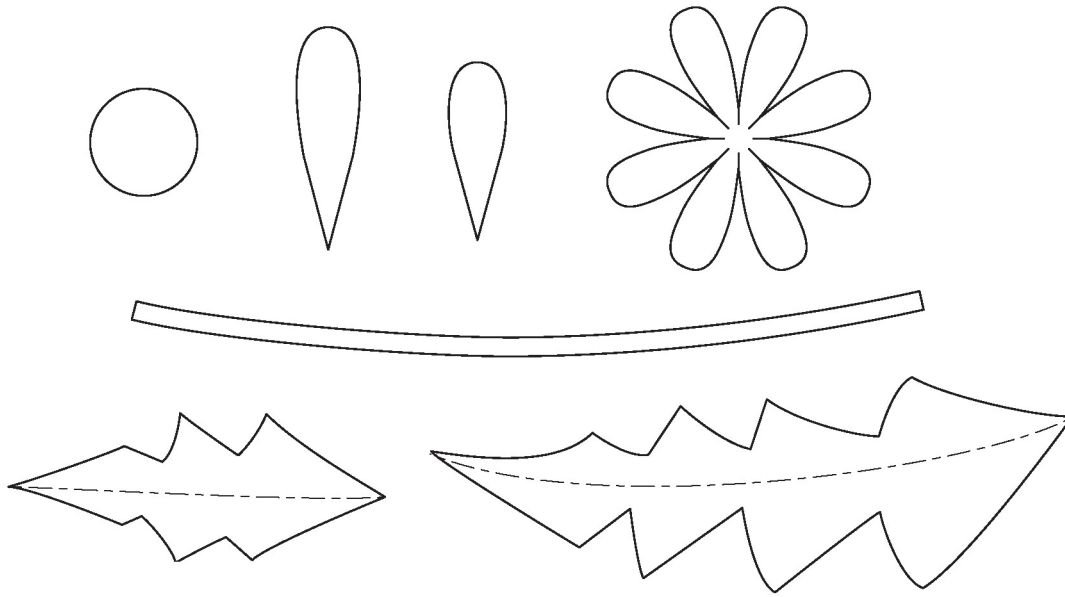
# White Clovers

Photo on page 11 Instructions on page 77



# Dandelion

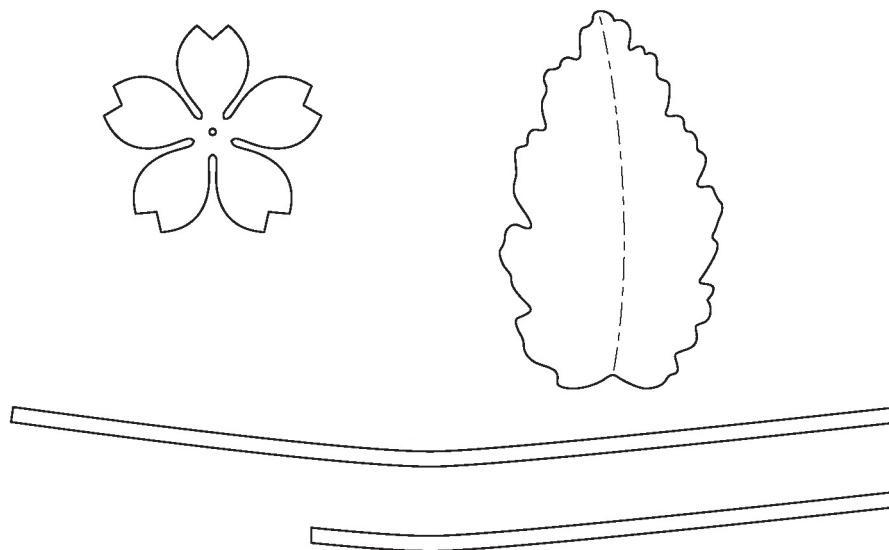
Photo on page 12 Instructions on page 78



---

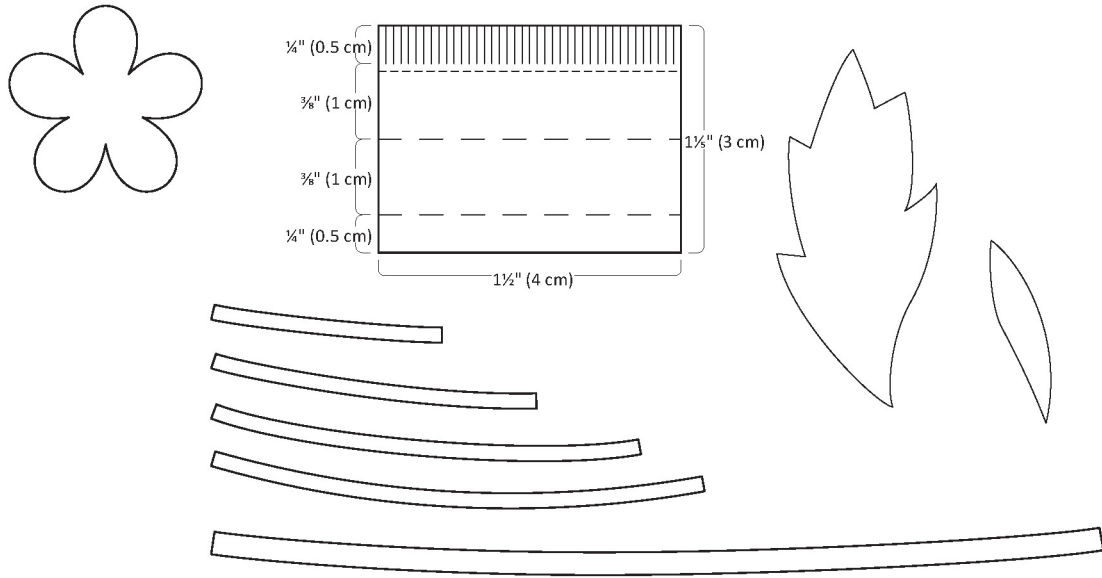
# Japanese Primrose

Photo on page 14 Instructions on page 79



# Japanese Buttercups

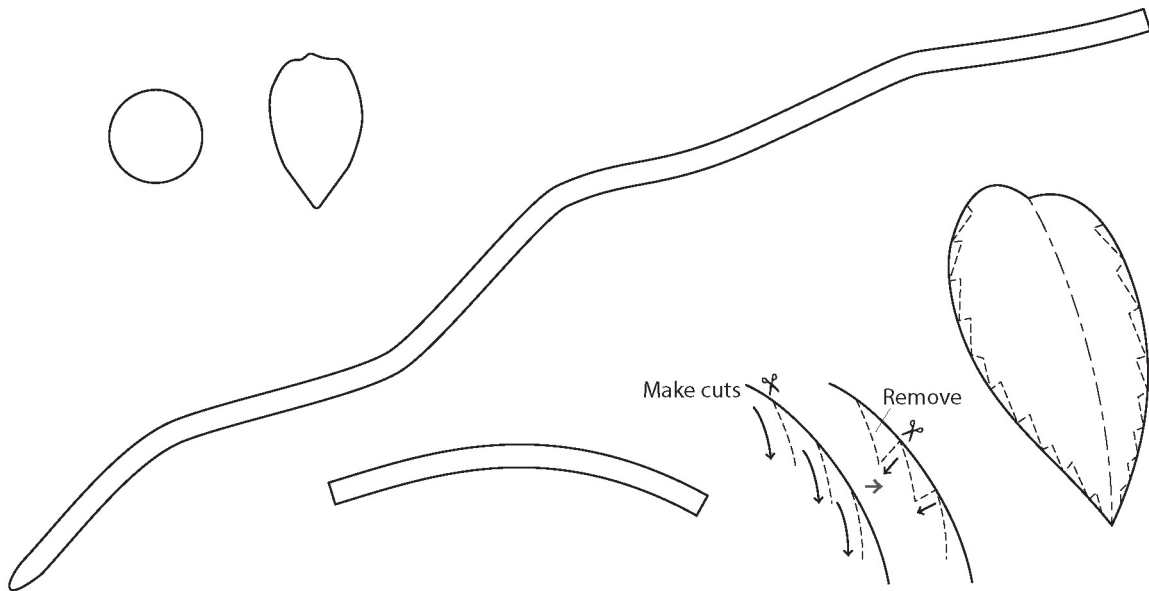
Photo on page 15 Instructions on page 79



---

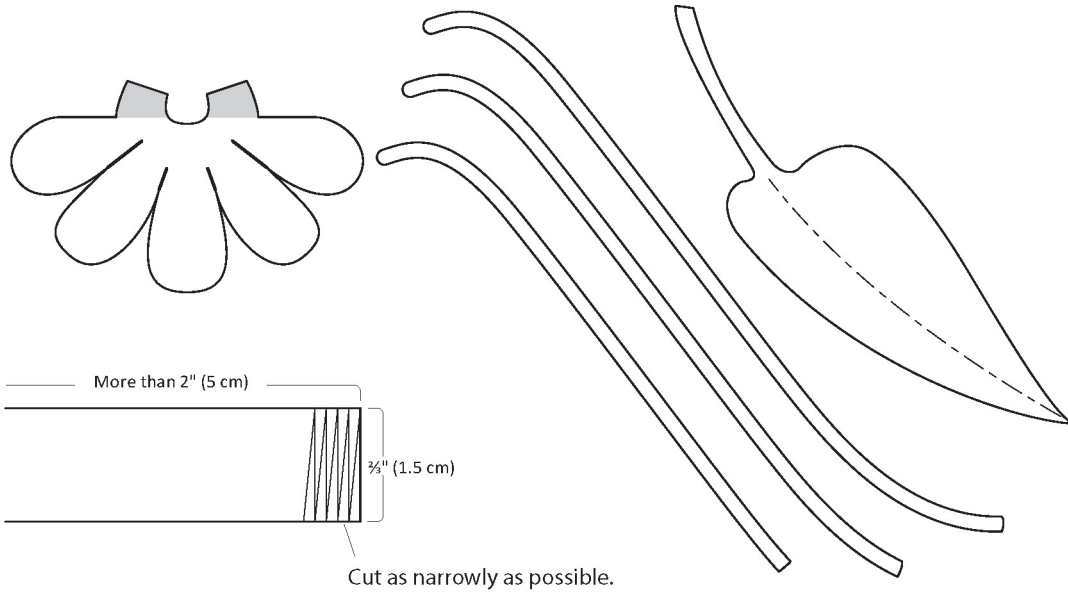
# Japanese Marigolds

Photo on pages 16 Instructions on page 80



# Fuji Dawn Violets

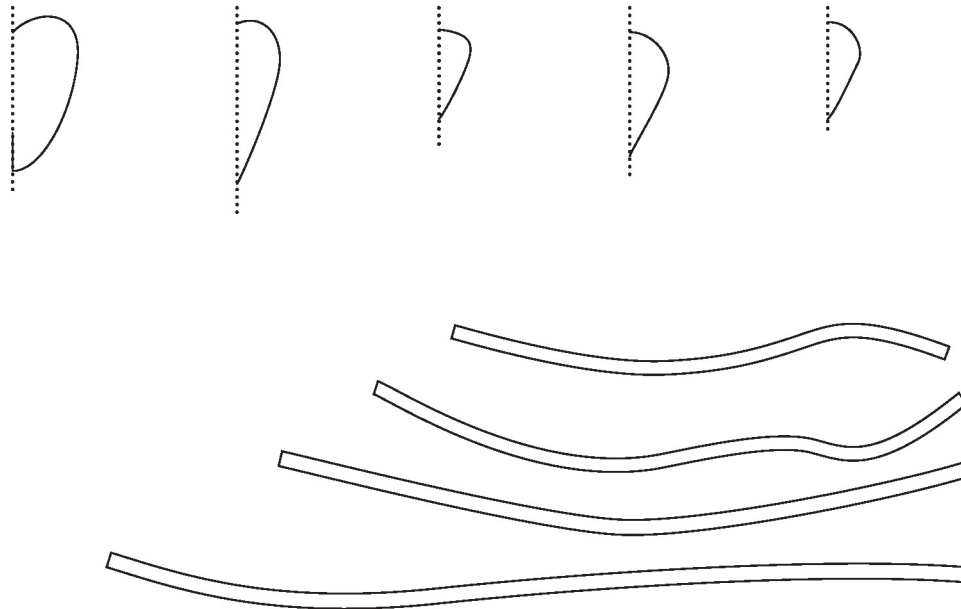
Photo on page 19 Instructions on page 81



---

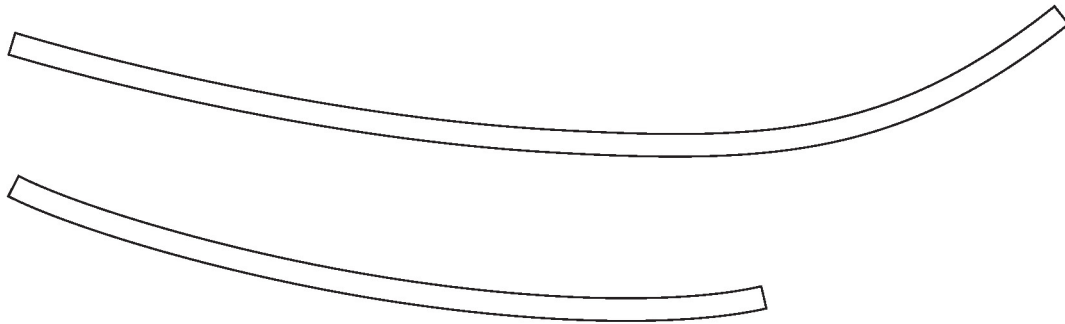
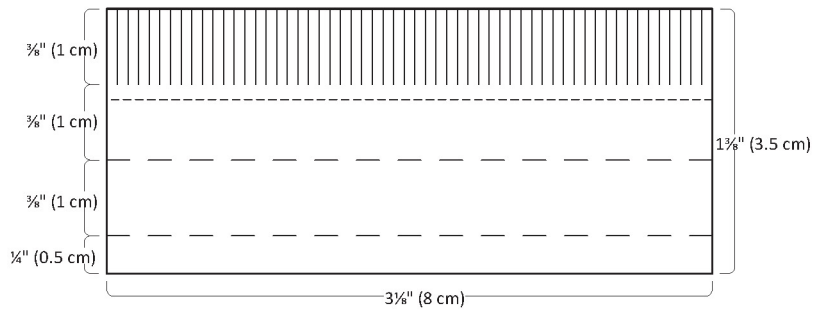
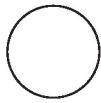
# Chinese Astragalus

Photo on page 20 Instructions on page 82



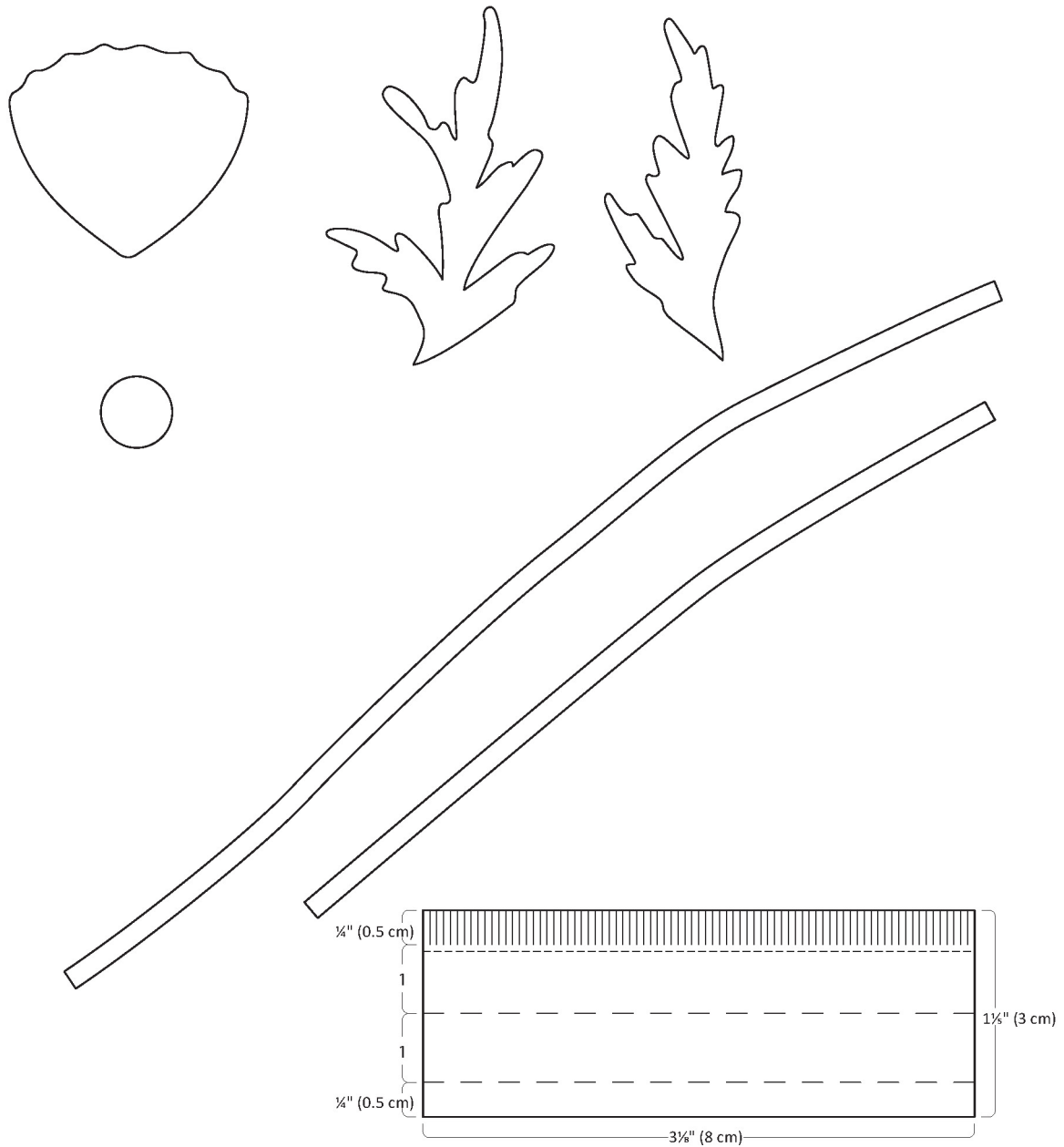
# Rodgersia

Photo on page 21 Instructions on page 83



# Shirley Poppy

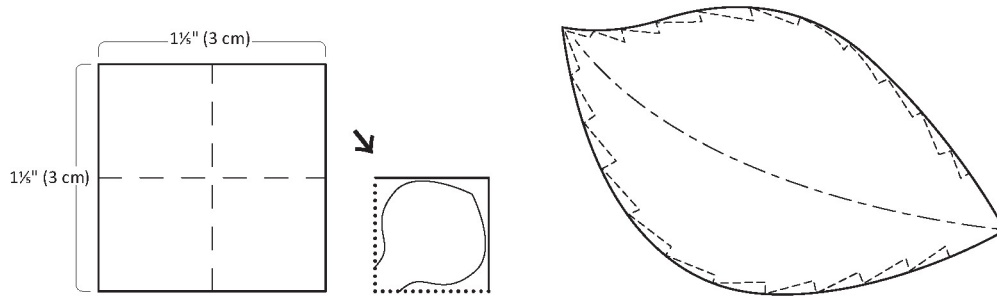
Photo on page 23 Instructions on page 84





# Bigleaf Hydrangea

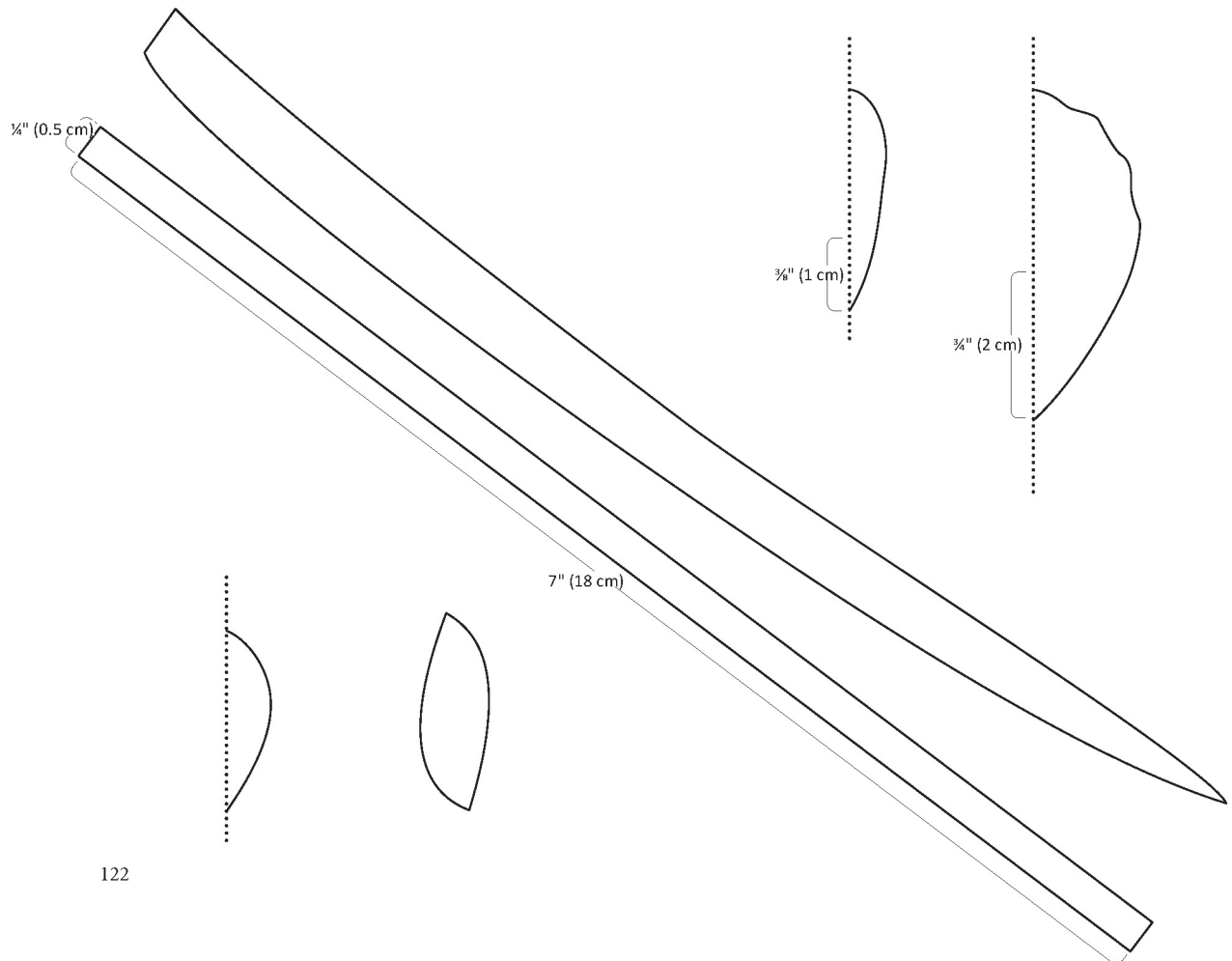
Photo on page 26 Instructions on page 85



---

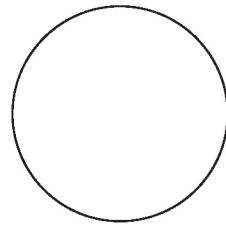
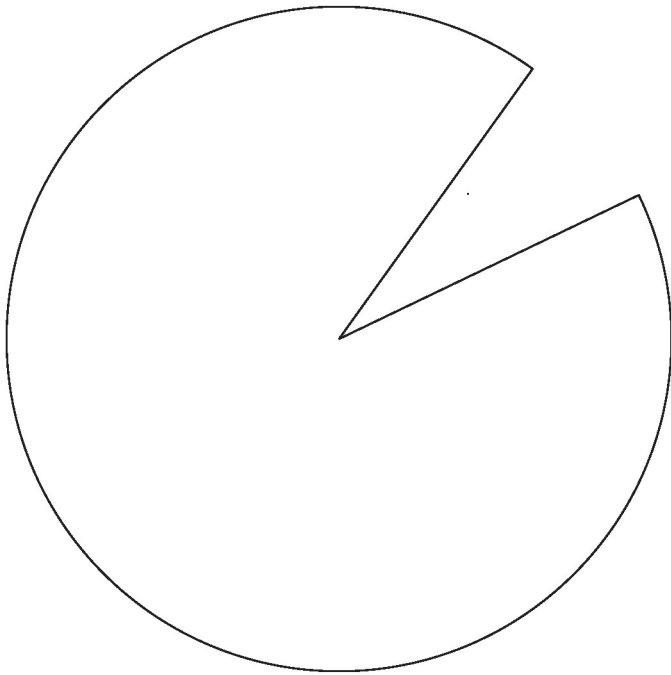
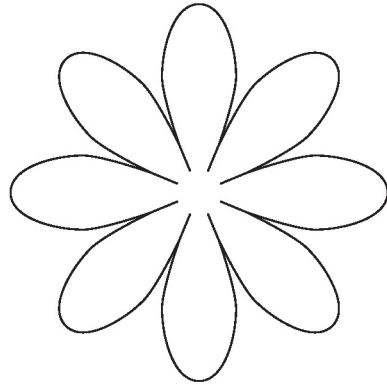
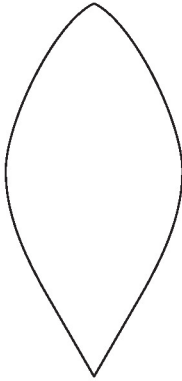
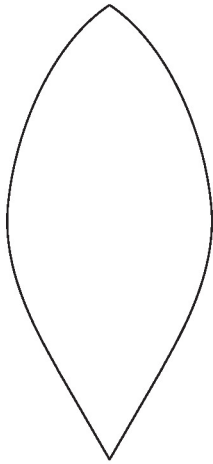
# Japanese Iris

Photo on page 27 Instructions on page 86



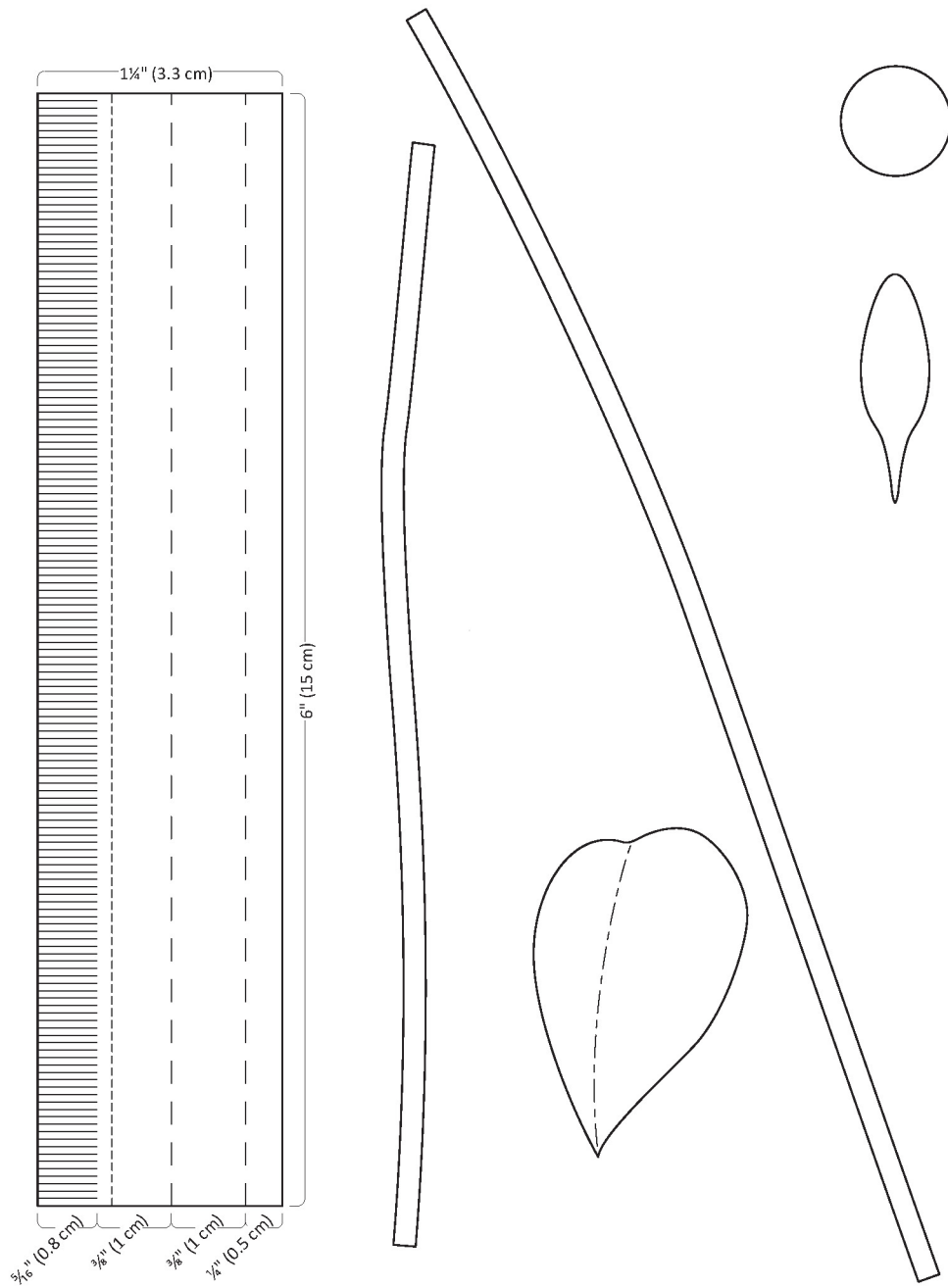
# Pygmy Water Lily

Photo on page 28 Instructions on page 87



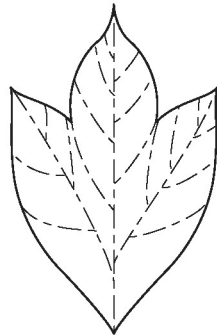
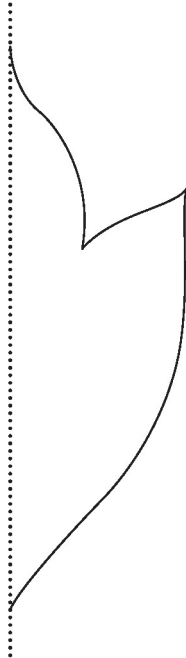
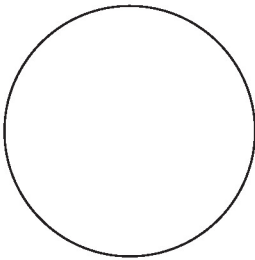
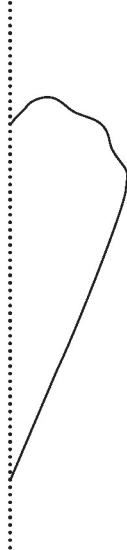
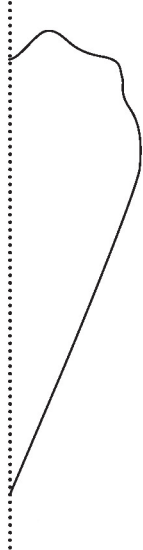
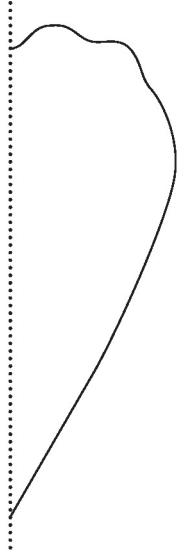
# Sunflowers

Photo on page 29 Instructions on page 88



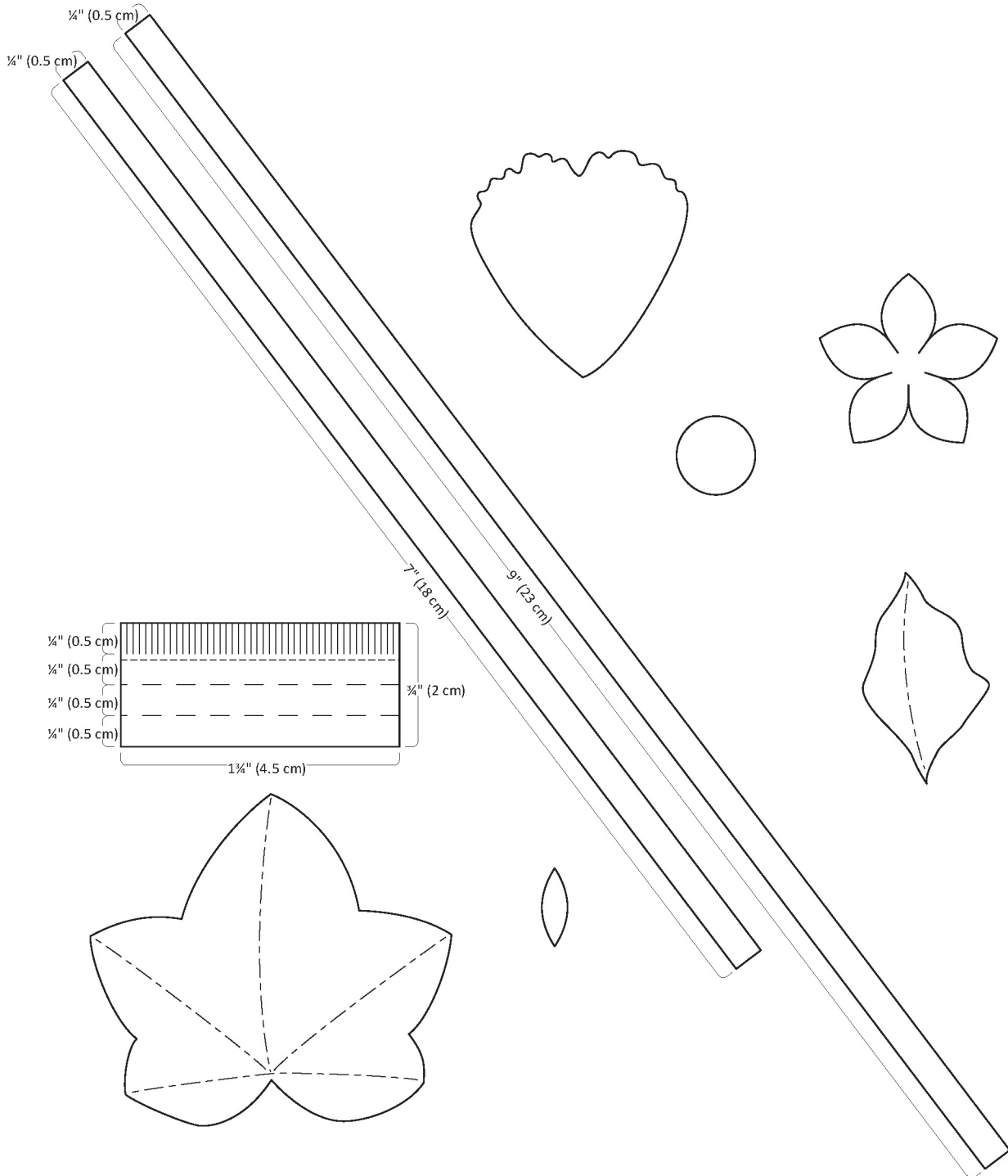
# Moutan Peony

Photo on page 30 Instructions on page 89



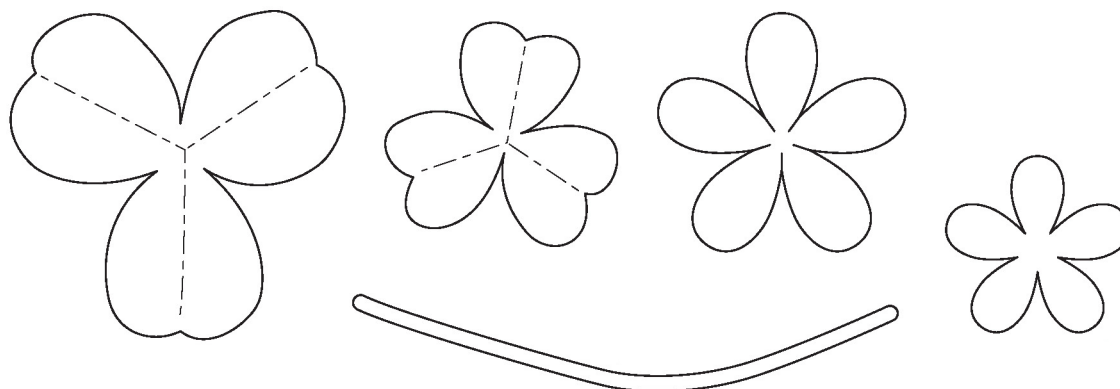
# Hollyhocks

Photo on page 32 Instructions on page 90



# Oxalis

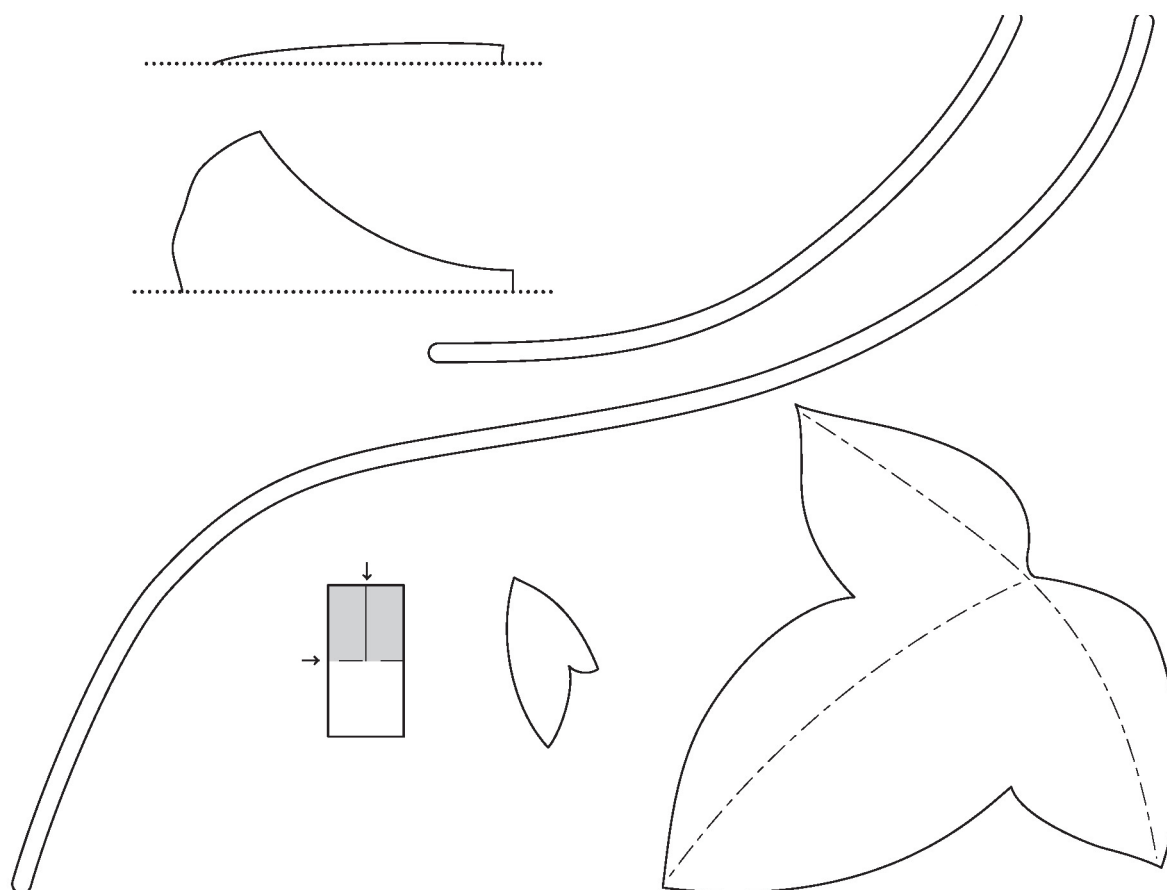
Photo on page 33 Instructions on page 91



---

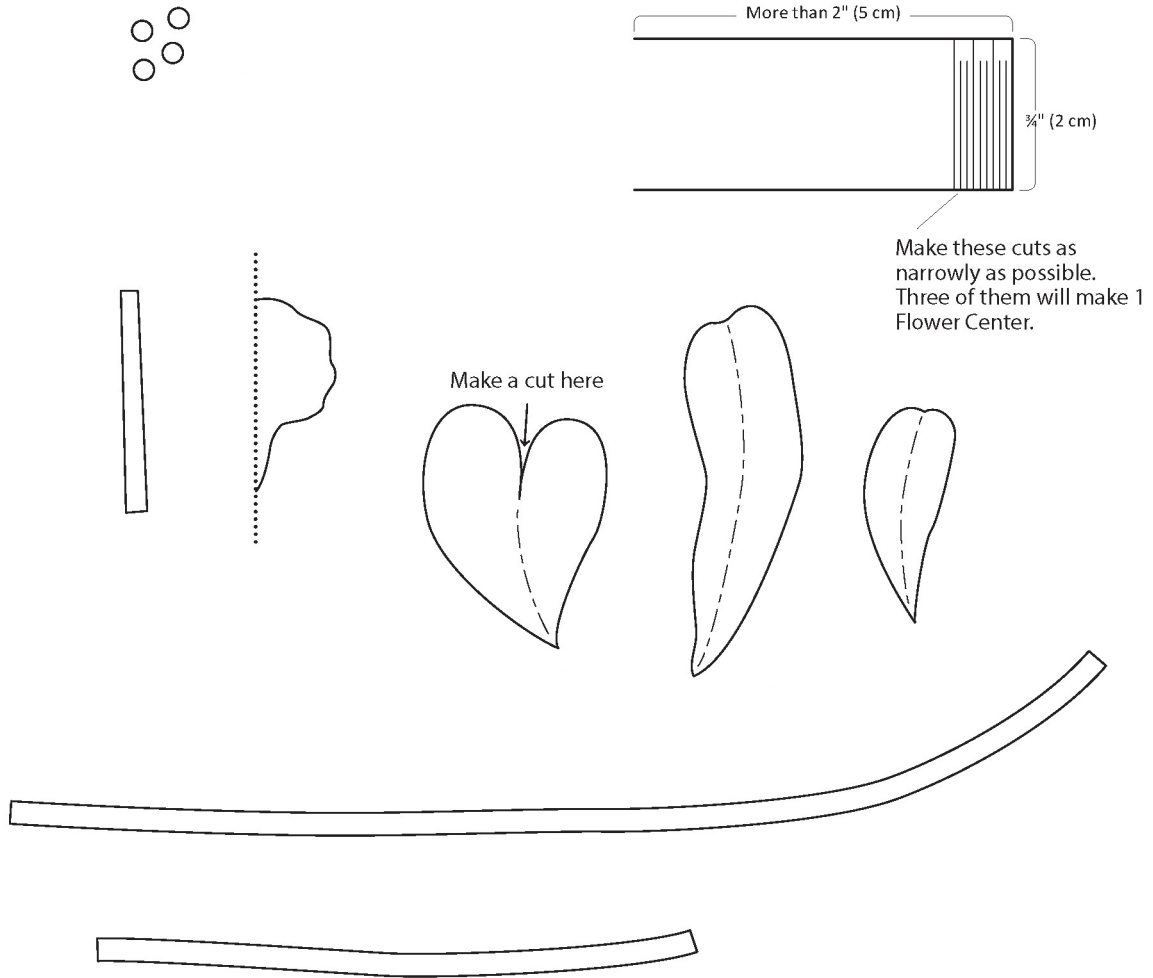
# Japanese Morning Glories

Photo on pages 34–35 Instructions on page 92



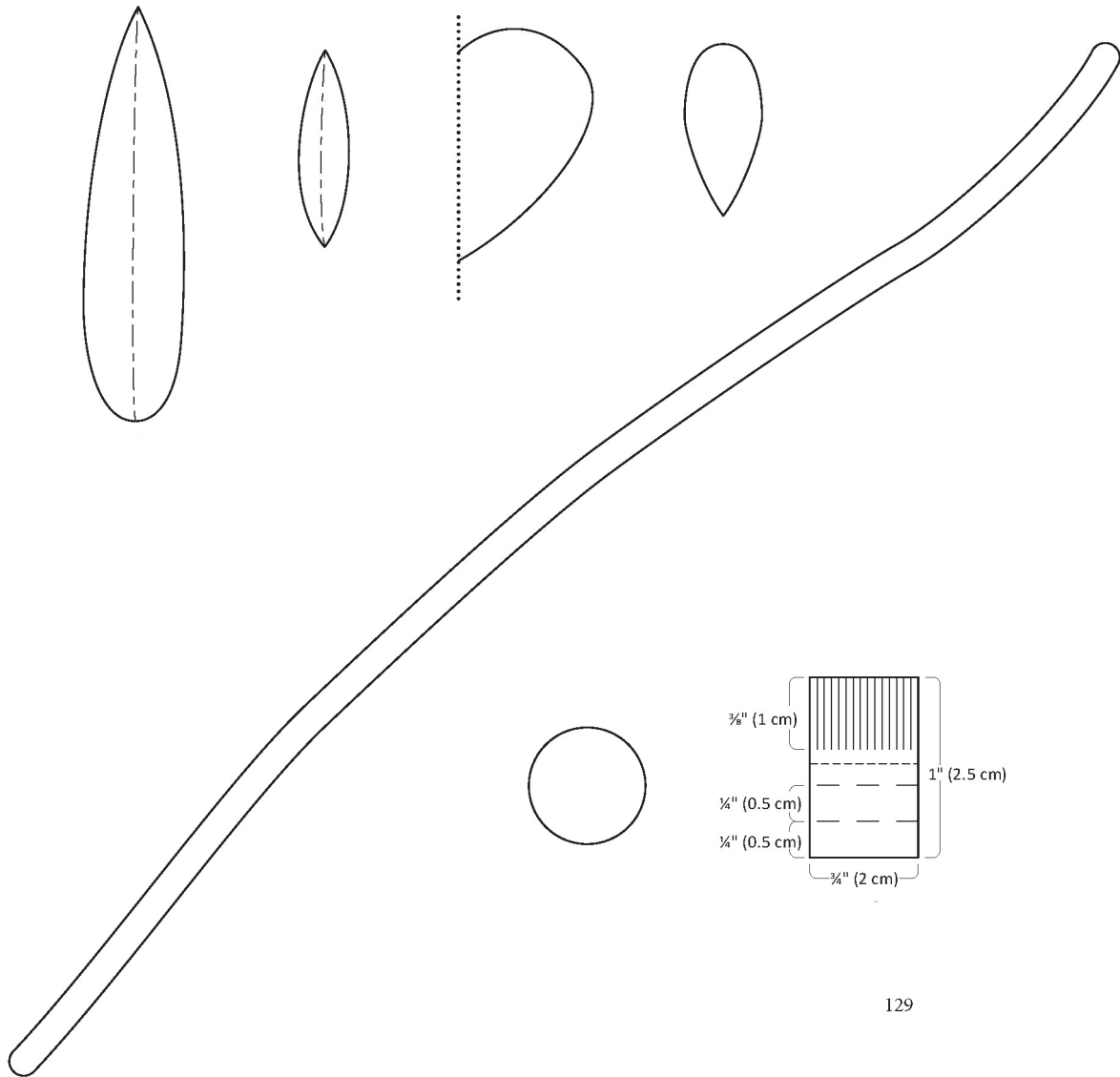
# Asiatic Dayflowers

Photo on page 36 Instructions on page 93



# Evening Primrose

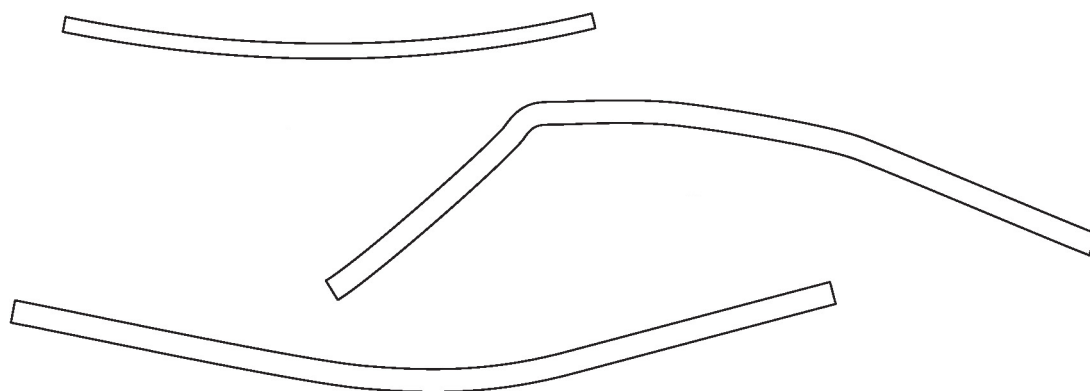
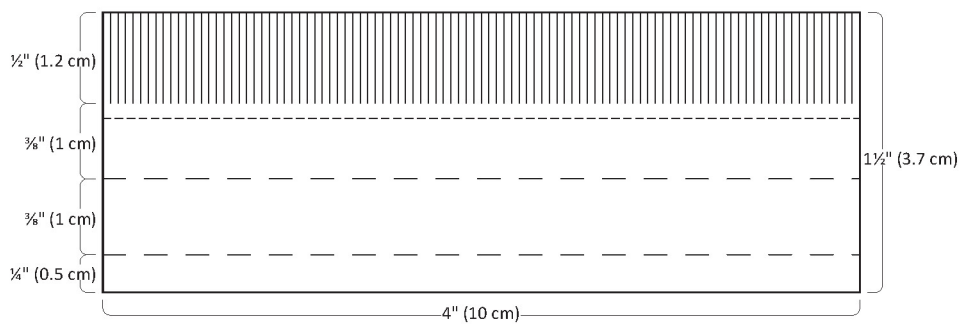
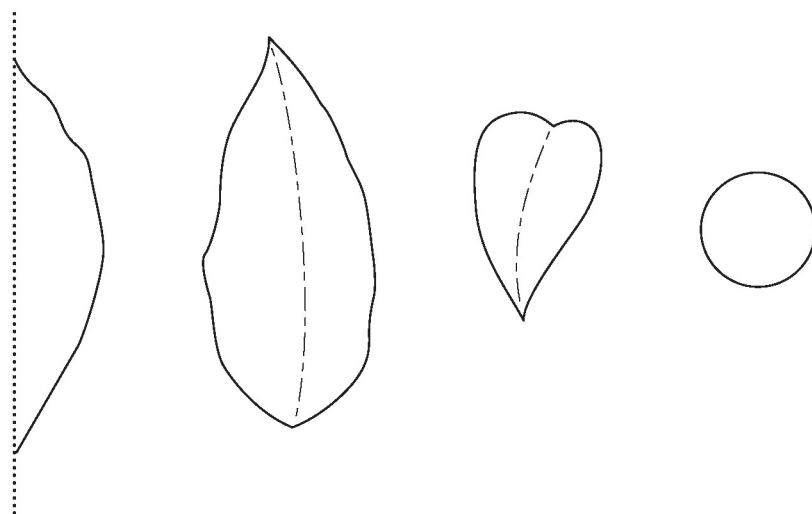
Photo on page 37 Instructions on page 94





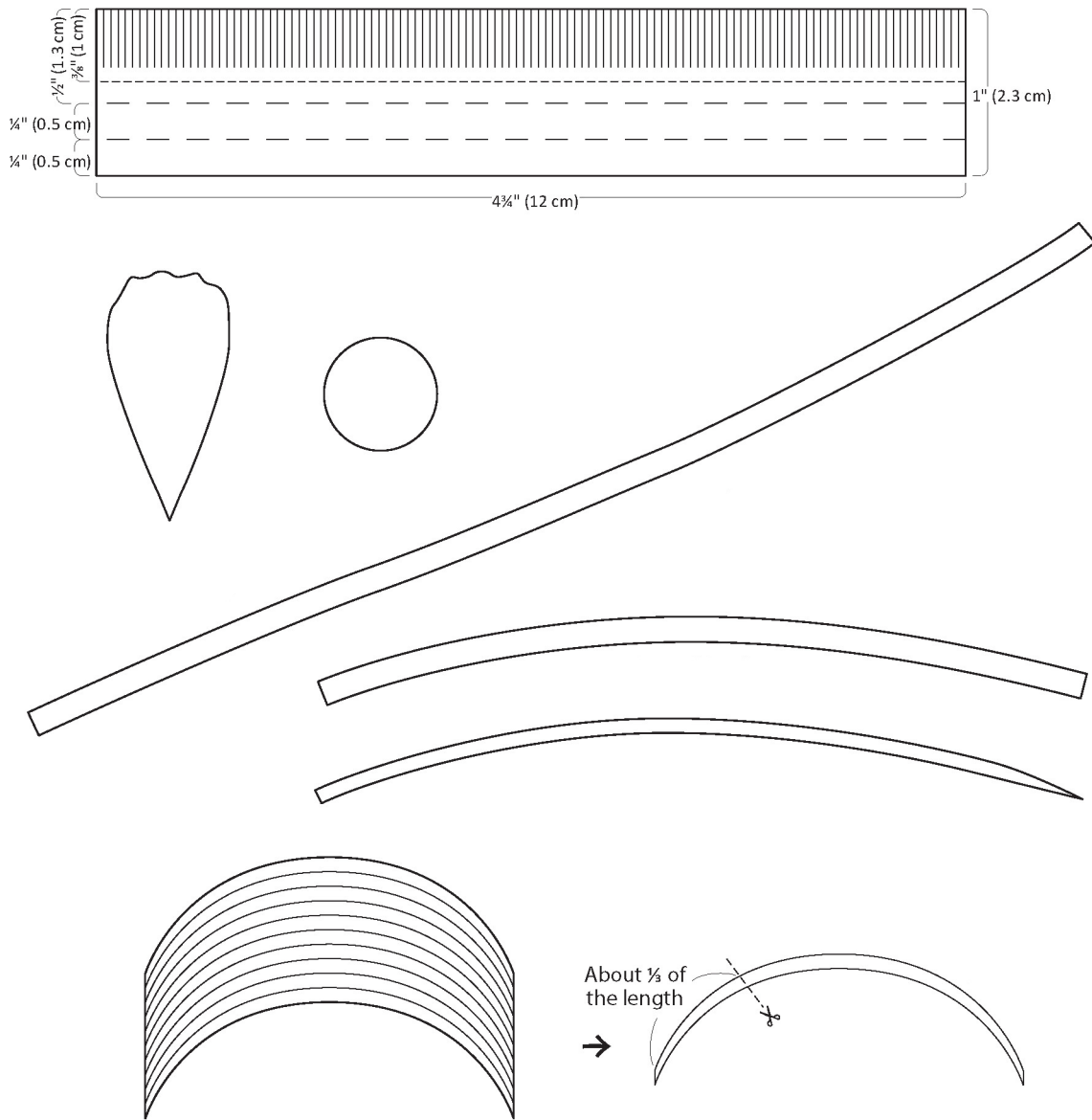
# Asian Virginsbower

Photo on page 38 Instructions on page 95



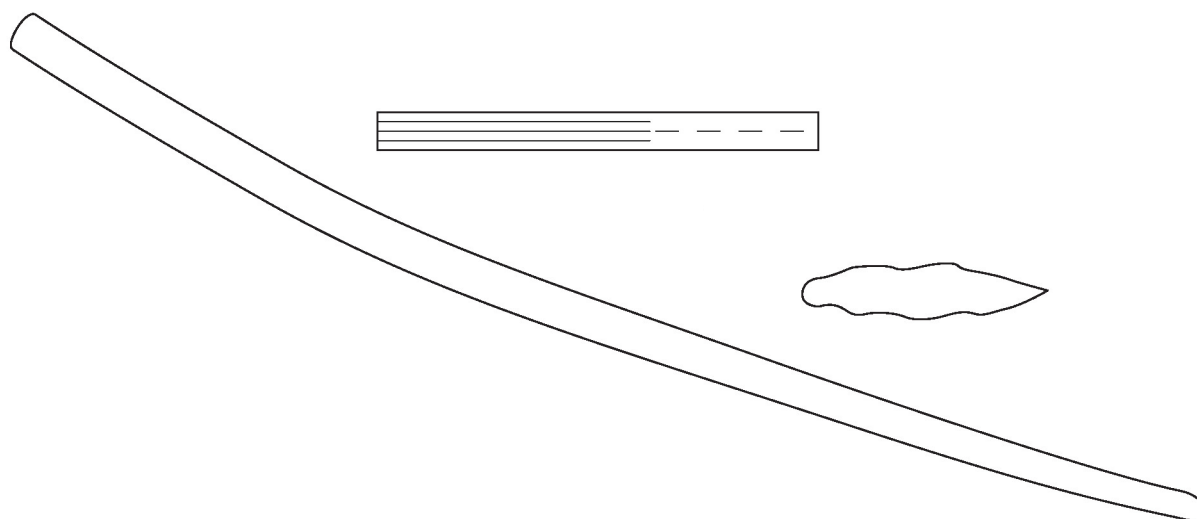
# Cosmos

Photo on page 42 Instructions on page 96



# Red Spider Lily

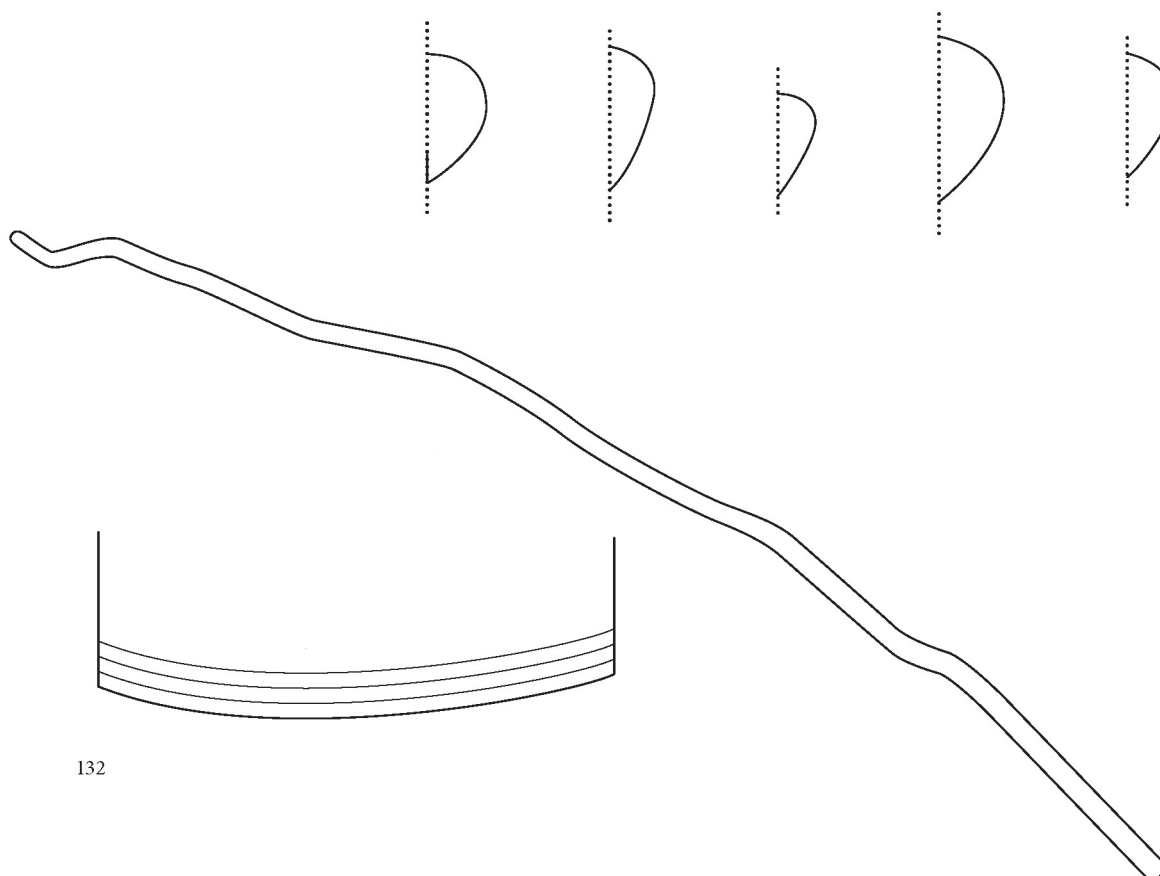
Photo on page 44 Instructions on page 97



---

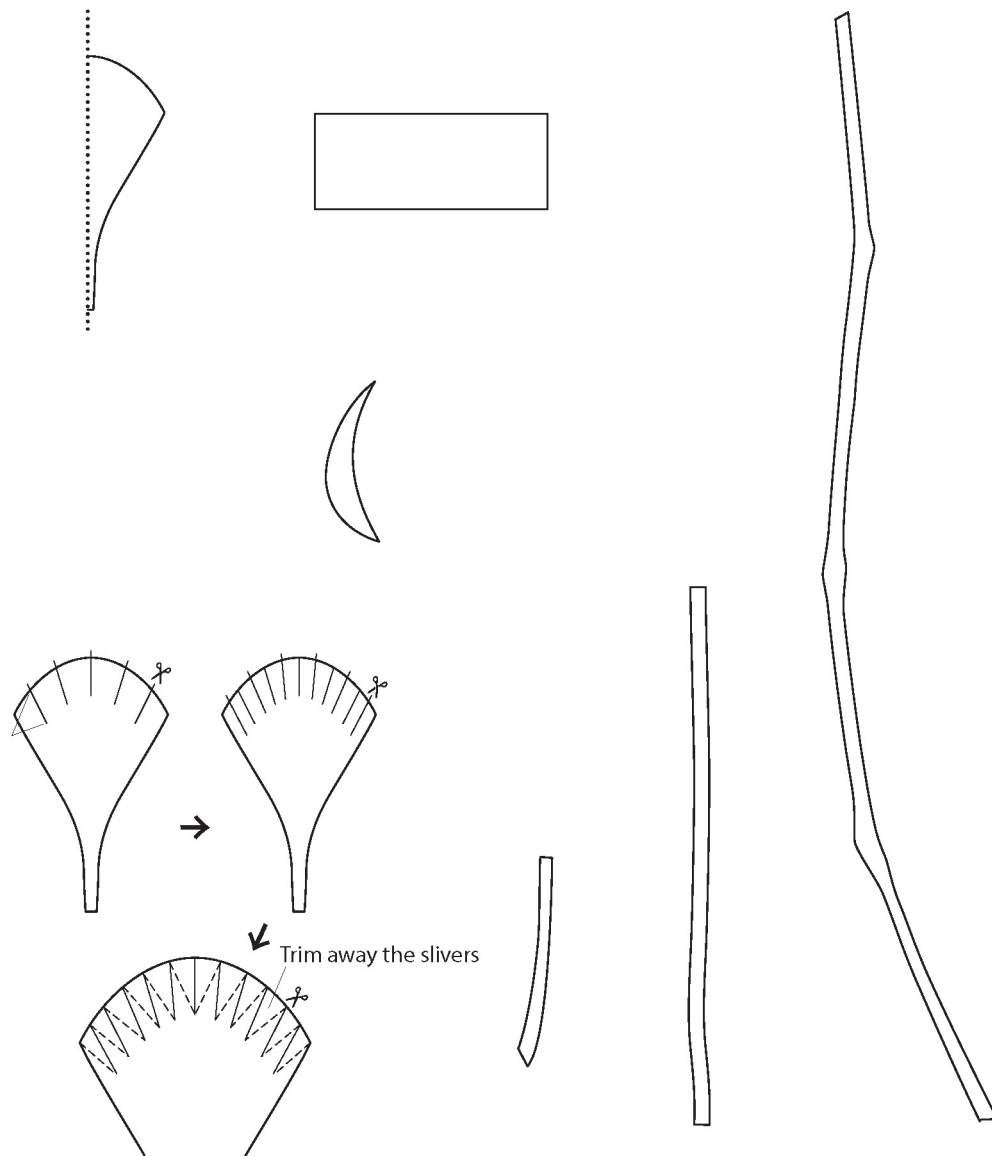
# Japanese Bush Clover

Photo on page 45 Instructions on page 98



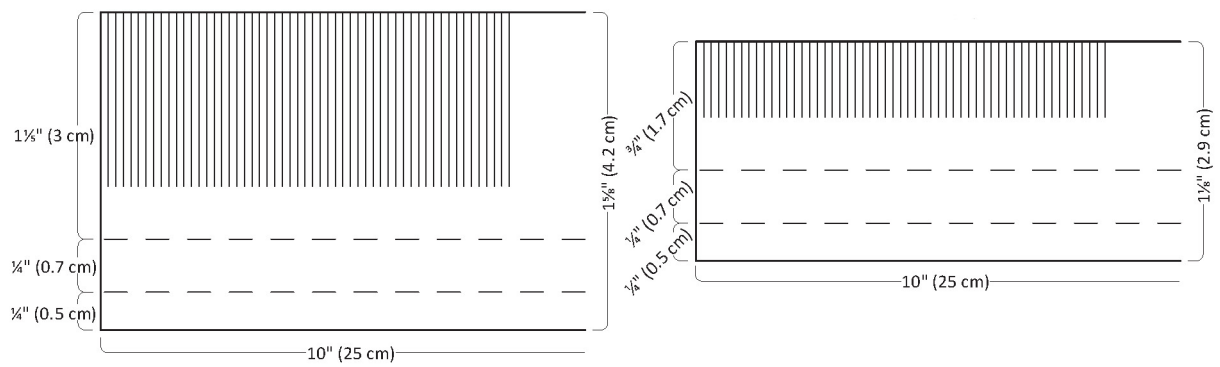
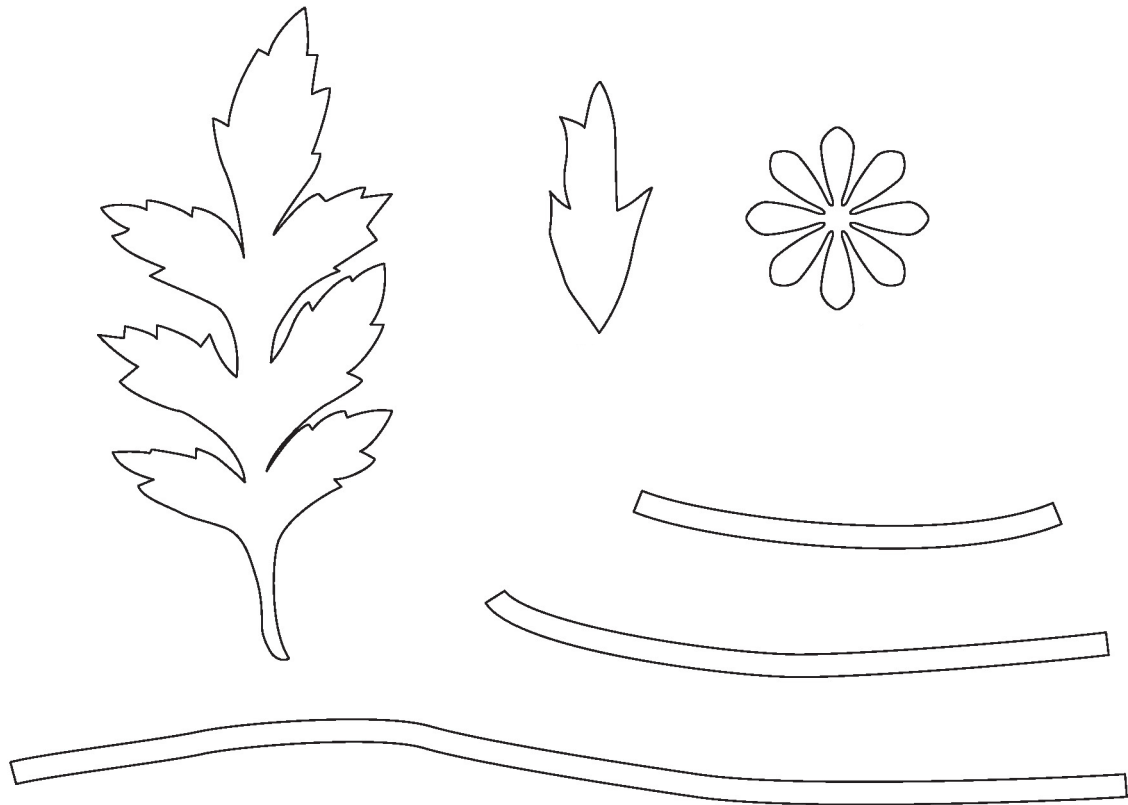
# Fringed Pink Ambrosia

Photo on page 46 Instructions on page 99



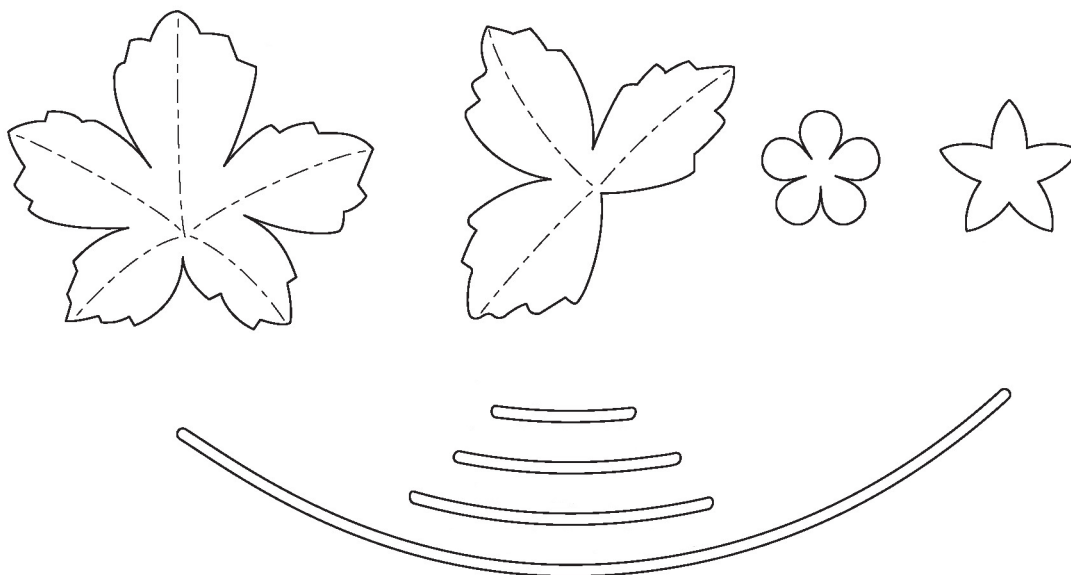
# Field Thistle

Photo on page 48 Instructions on page 100



# Cranesbill Geranium

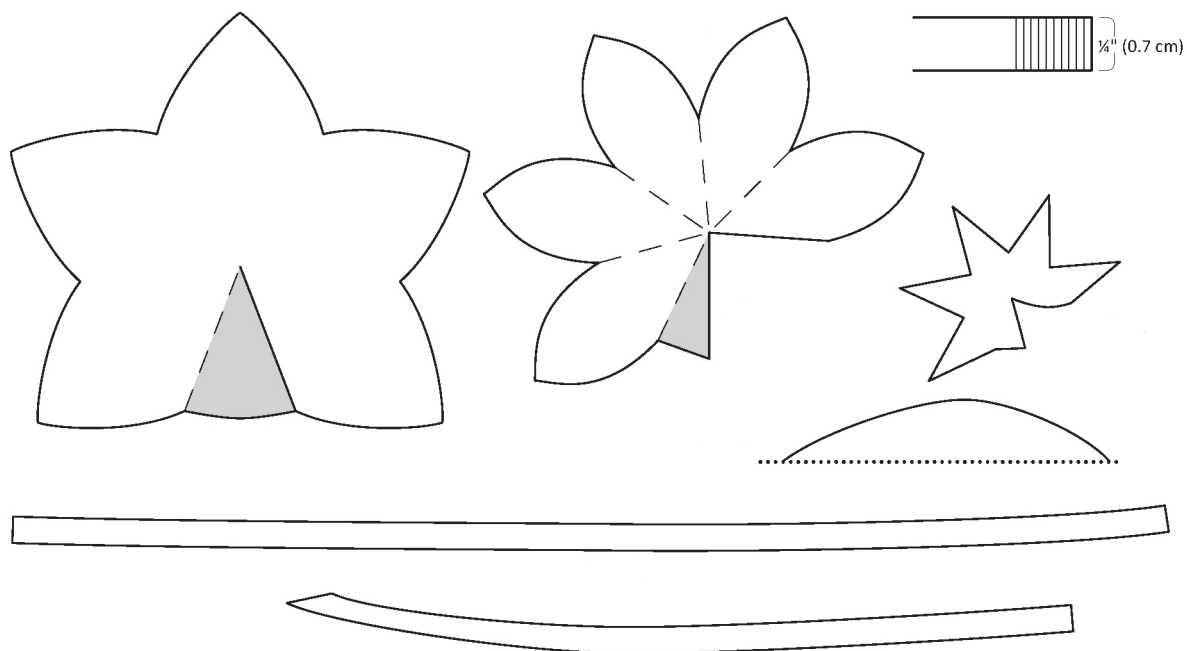
Photo on page 49 Instructions on page 100



---

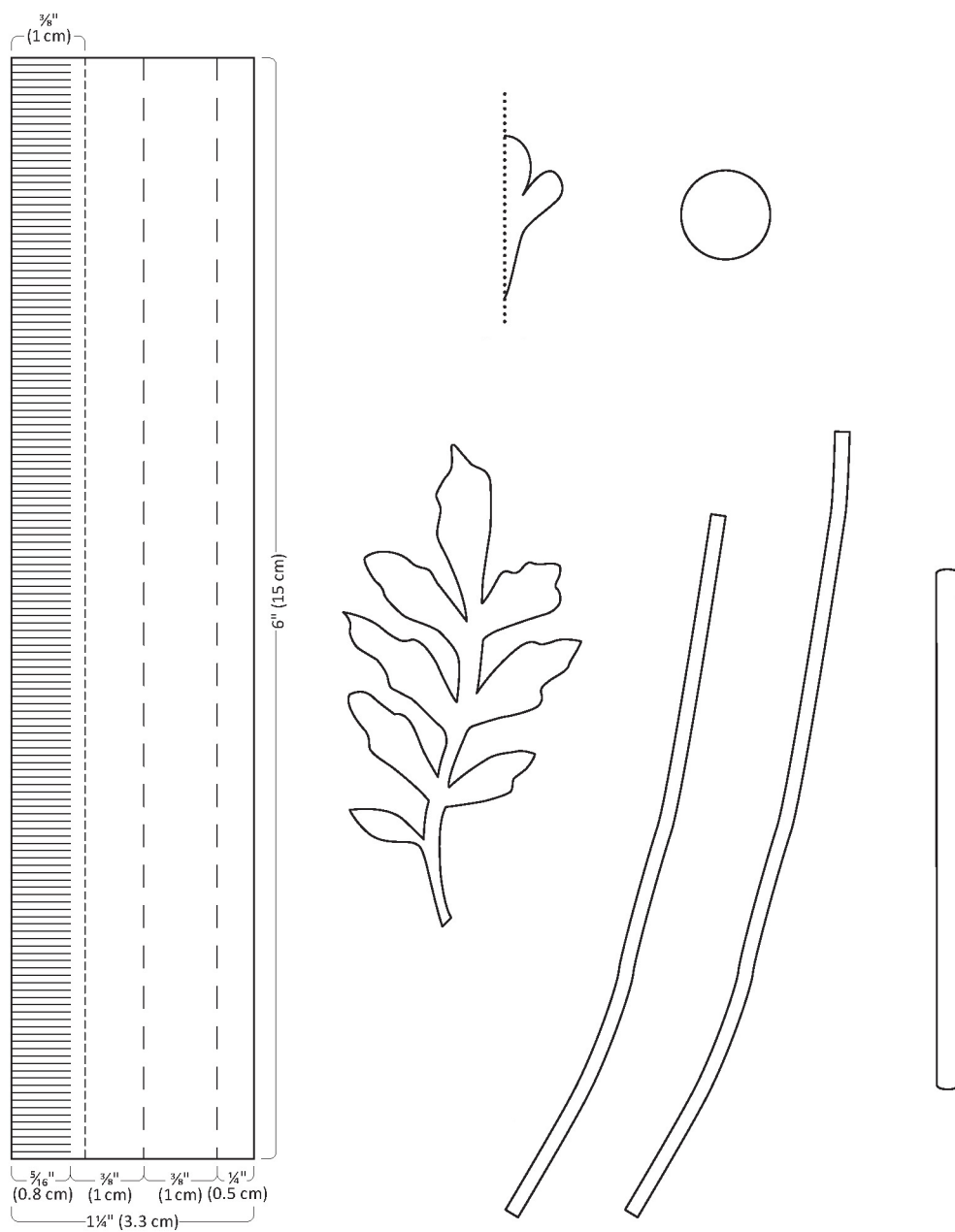
# Balloon Flowers

Photo on page 50 Instructions on page 101



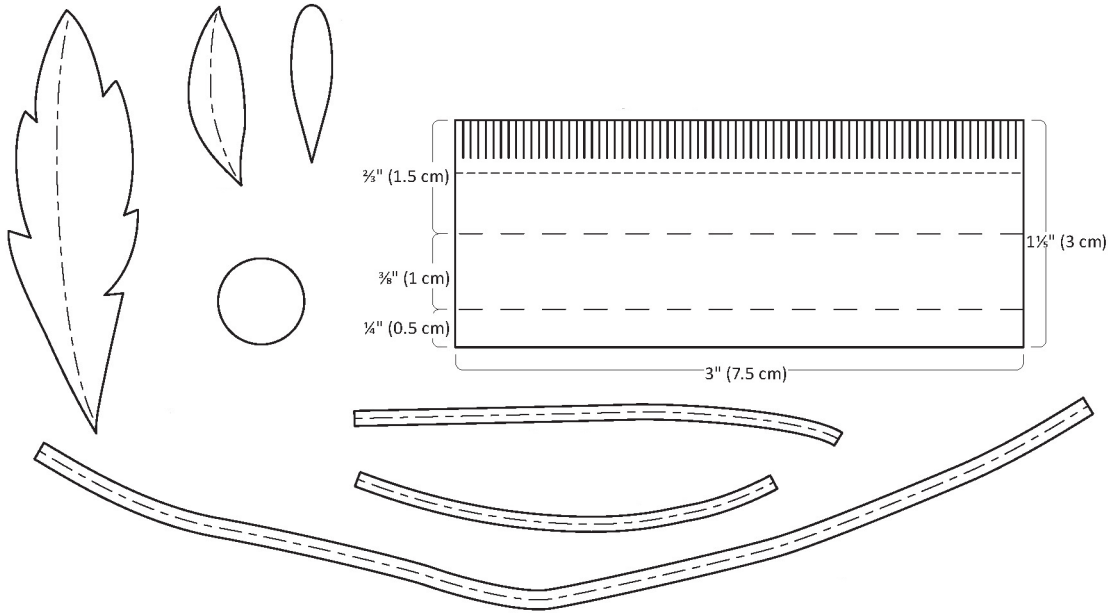
# Scabiosa

Photo on page 51 Instructions on page 102



# Aster Yomena

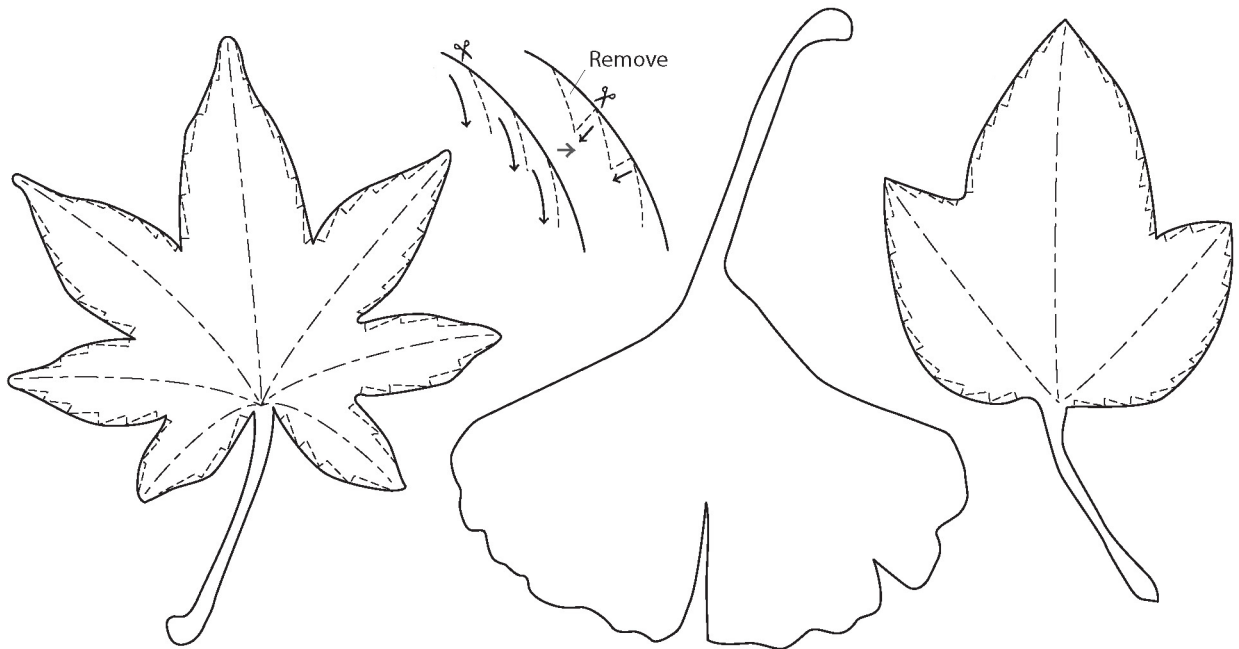
Photo on page 52 Instructions on page 103



---

# Japanese Maple Leaves, Ginkgo Leaves and Red Maple Leaves

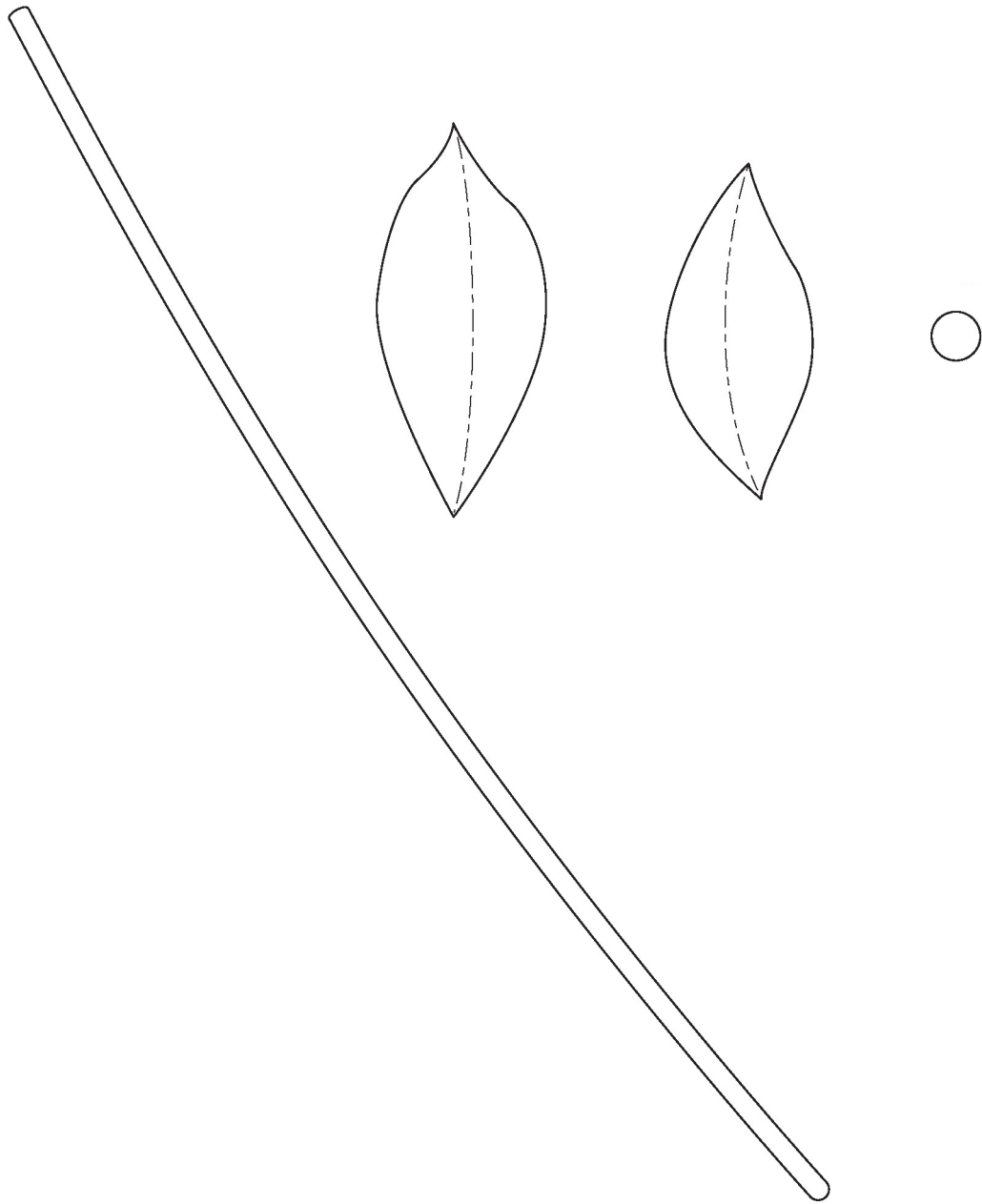
Photo on pages 54–55 Instructions on page 104





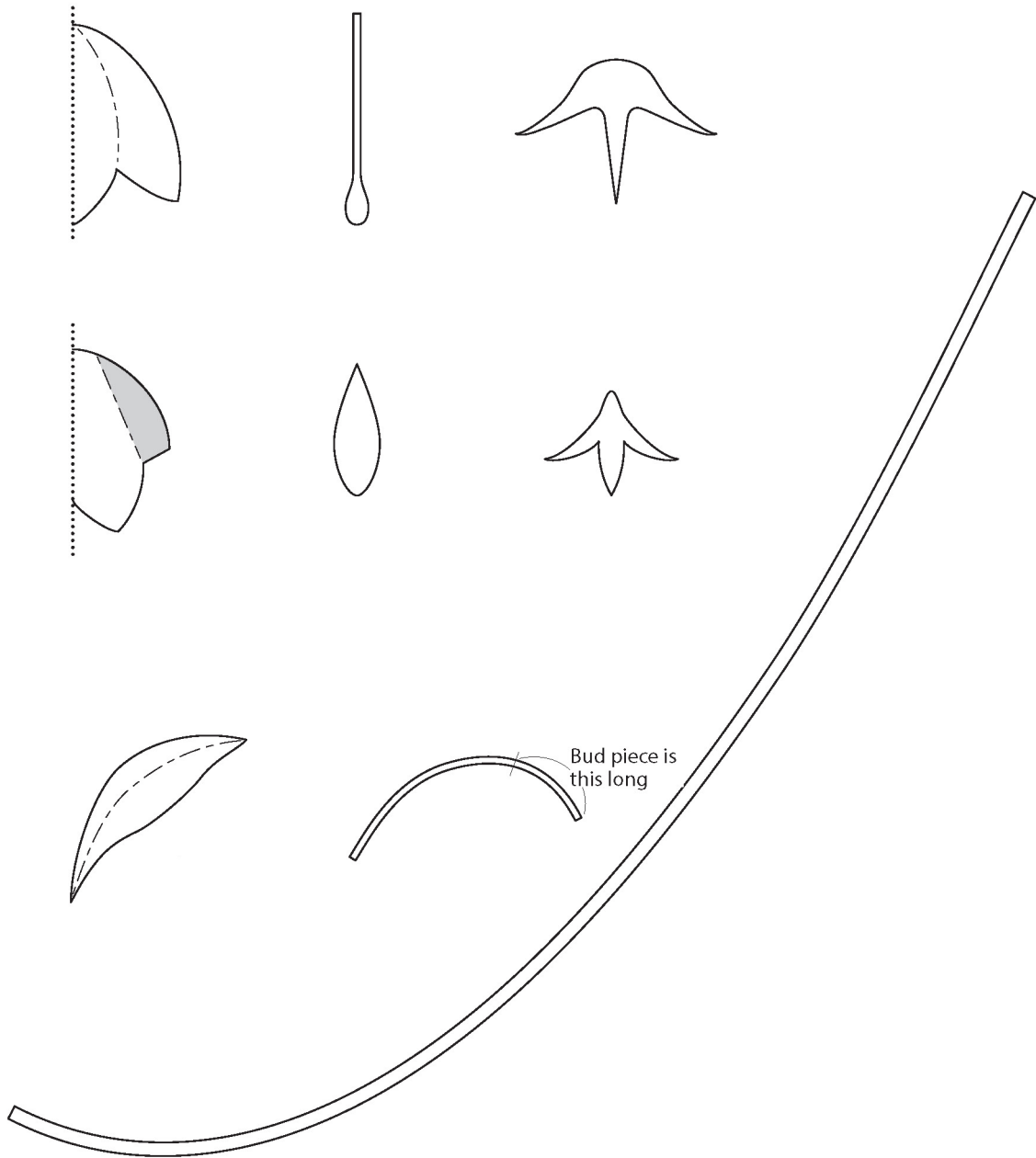
# Japanese Beautyberry

Photo on page 56 Instructions on page 104



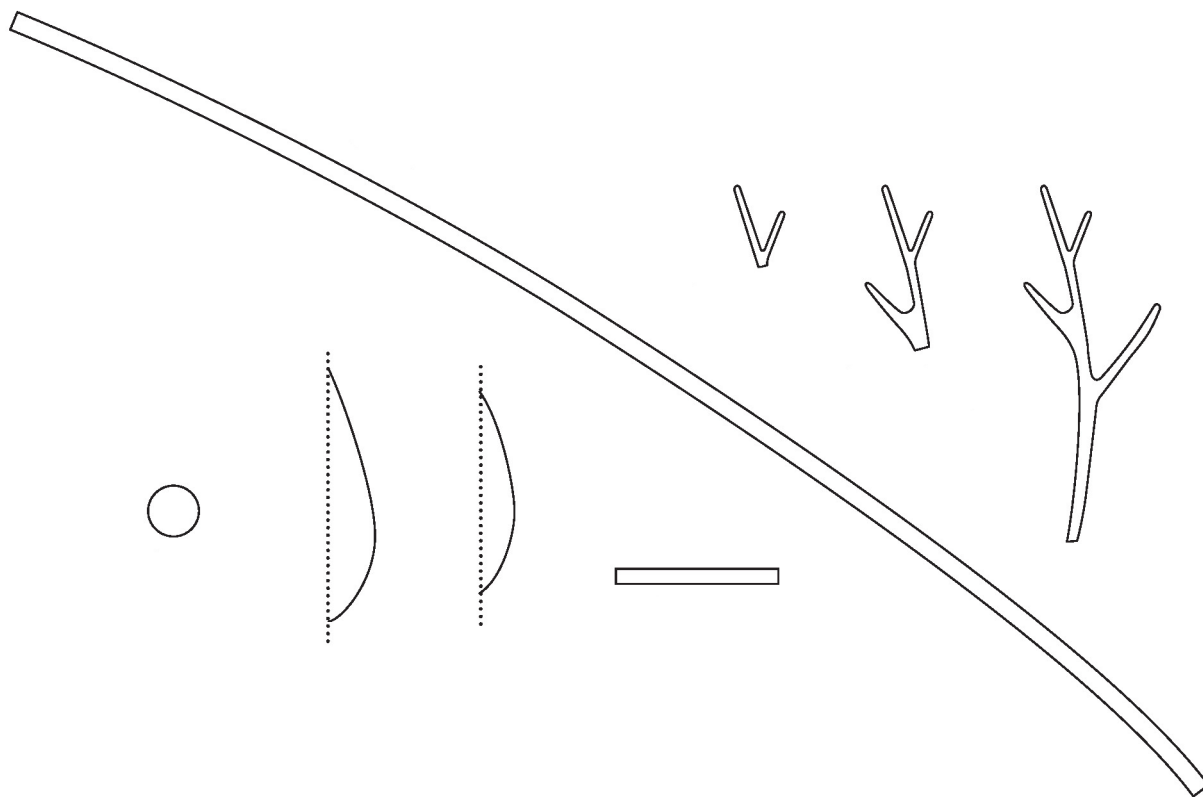
# Japanese Lady Bell

Photo on page 41 Instructions on page 105



# Heavenly Bamboo

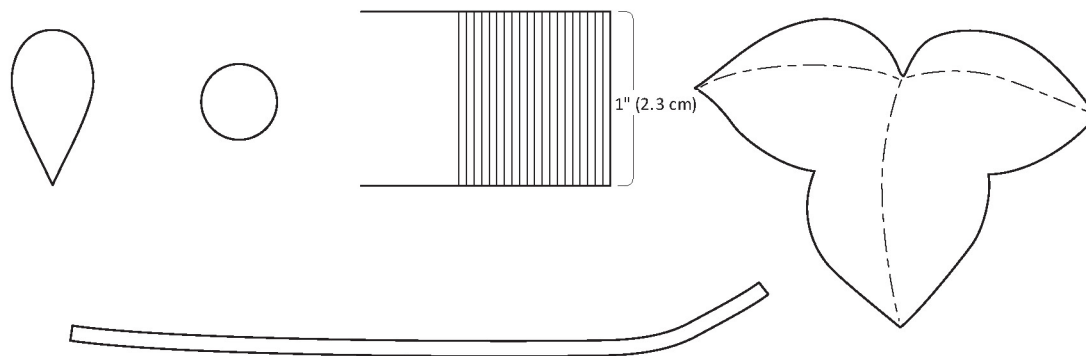
Photo on page 60 Instructions on page 106



---

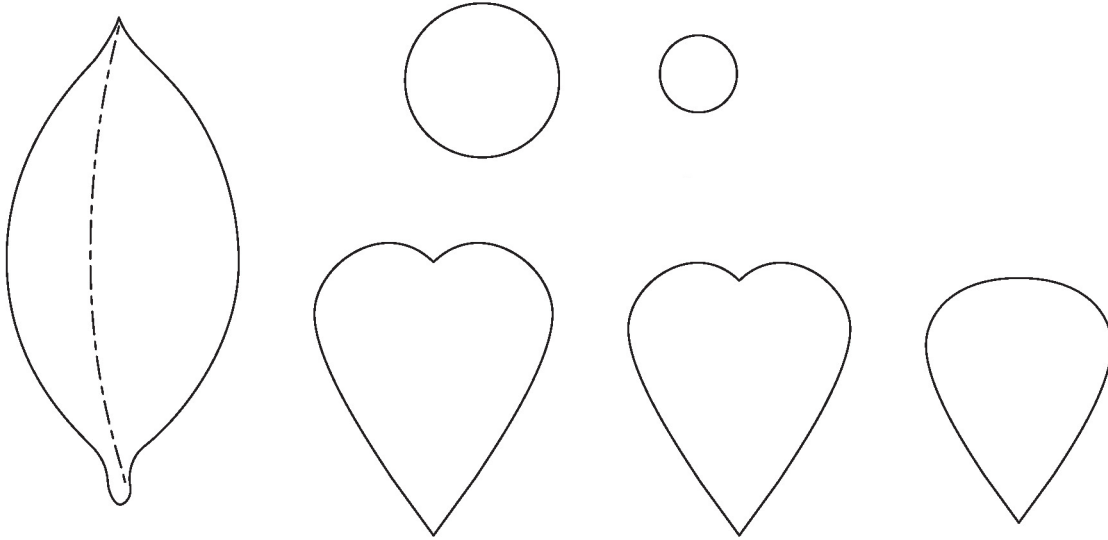
# Bird's-eye Primrose

Photo on page 61 Instructions on page 106



# Japanese Camellia

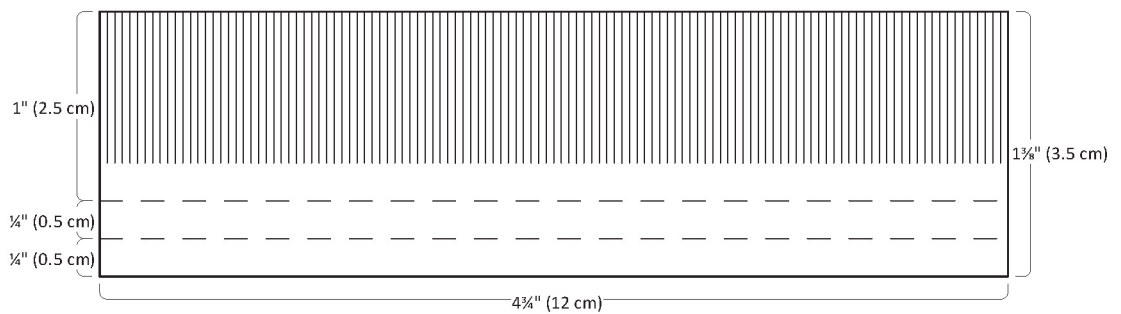
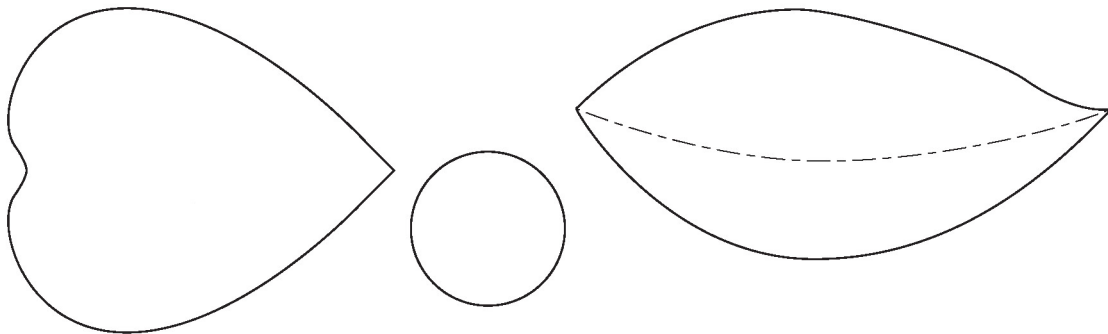
Photo on page 63 Instructions on page 107



---

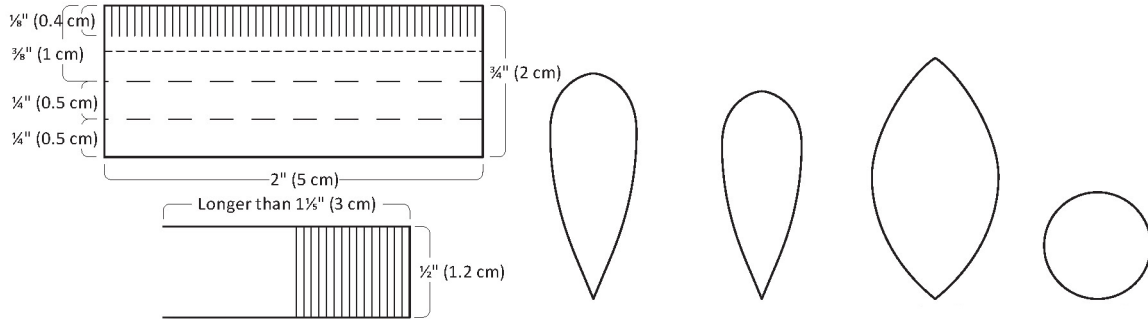
# Snow Camellia

Photo on page 64 Instructions on page 108



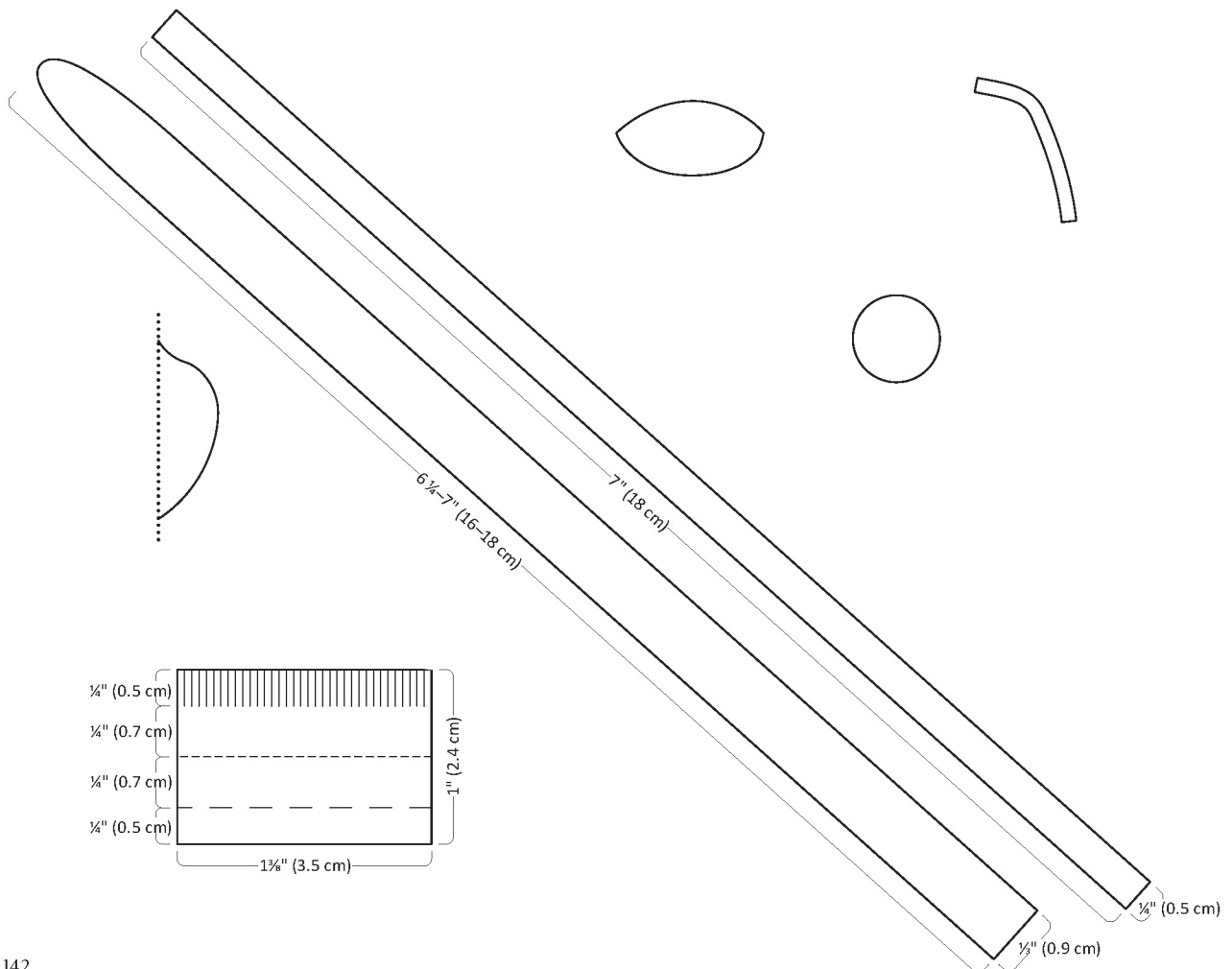
# Pheasant's Eye

Photo on page 59 Instructions on page 110



# Chinese Sacred Lilies

Photo on pages 66-67 Instructions on page 111



# Japanese Plum Blossoms

Photo on page 68 Instructions on page 112

